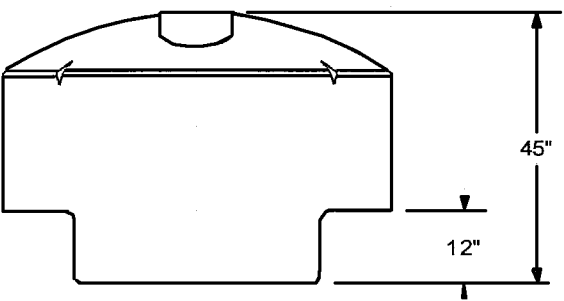
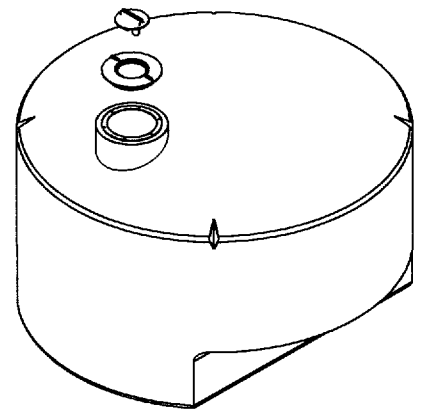
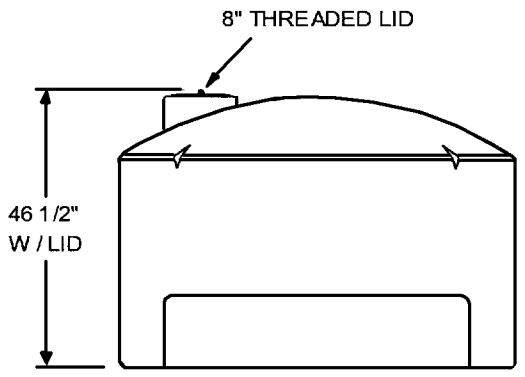


Ø65"

Ø12"



41" 12"



THIS DRAWING MAY NOT BE USED FOR ANY PURPOSE OTHER THAN BY THE OWNER. THE DRAWING & DESIGN ARE PROPERTY OF ROTONICS MANUFACTURING, INC. ALL DIMENSIONS SHOWN ARE OUTSIDE PART DIMENSIONS IN INCHES, AND MAY VARY DUE TO MATERIAL SHRINKAGE. SPECIFICATIONS ARE SUBJECT TO CHANGE WITHOUT NOTICE. GALLONS AND WEIGHTS ARE APPROXIMATE ONLY.

<b>ROTONICS MFG. INC.</b>				6770 BRIGHTON BLVD COMMERCE CITY, CO 80022 Ph. (303) 227-9300 Fax: (303) 227-9308	
#36935				<b>475 gal. PICK-UP TANK</b>	
DRAWN BY: DPHAM/RMI-G	DESIGN BY:	DATE: 03/10/03	SCALE: 1 = 00	DWG. #	REV.
					SHT. 1 of 1