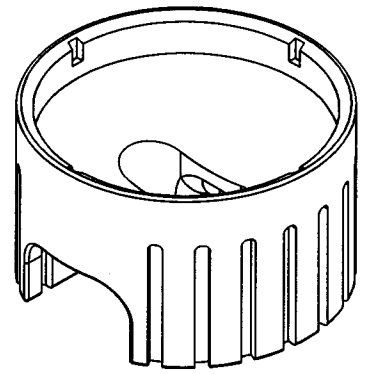
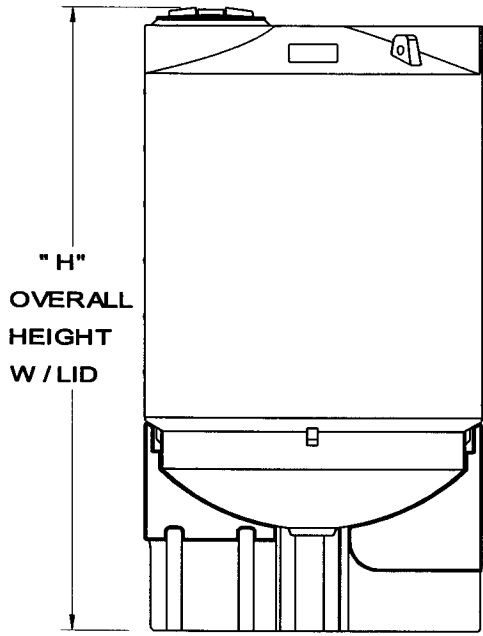
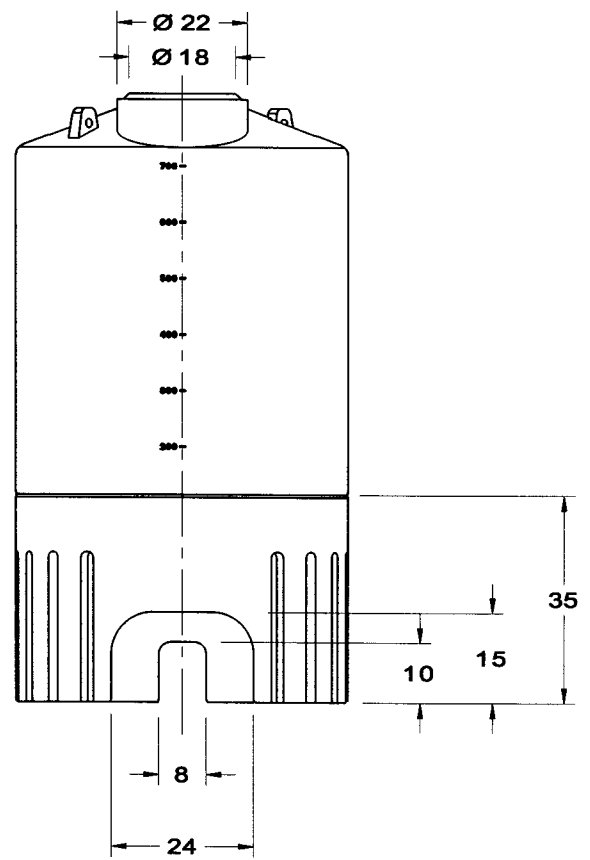
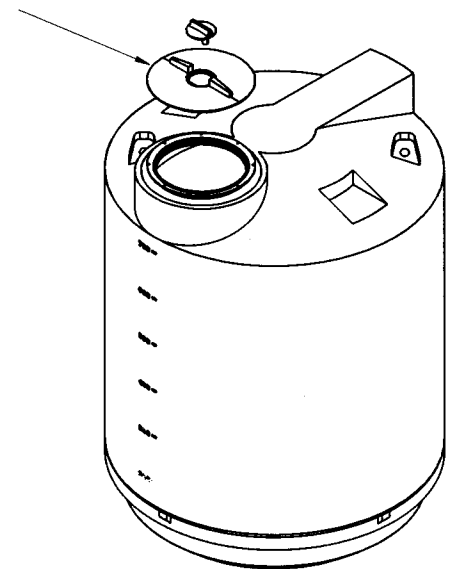


TANK & STAND	"H" OVERALL HEIGHT
525 GAL.	80"
780 GAL.	104"

16" THREADED LID



ROTONICS MFG. INC. 17038 S. FIGUEROA ST.
 GADENA CA. 90248
 Phone: (310) 327-5401
 Fax: (310) 323-9567

**Ø 56 - 525, 780 GAL. SPHERICAL
 BOTTOM TANK AND STAND**

This drawing may not be used for any purpose other than by the owner. The drawing and design are property of Rotonics Manufacturing, Inc. All dimensions shown are outside part dimensions in inches, and may vary due to material shrinkage. Specifications are subject to change without notice. Gallons and weights are approximate only.

DRAWN BY: Dpham	DESIGN BY: Dpham	DATE: 04/01/03	SCALE: NONE	DWG. No. S-1416F
--------------------	---------------------	-------------------	----------------	----------------------------