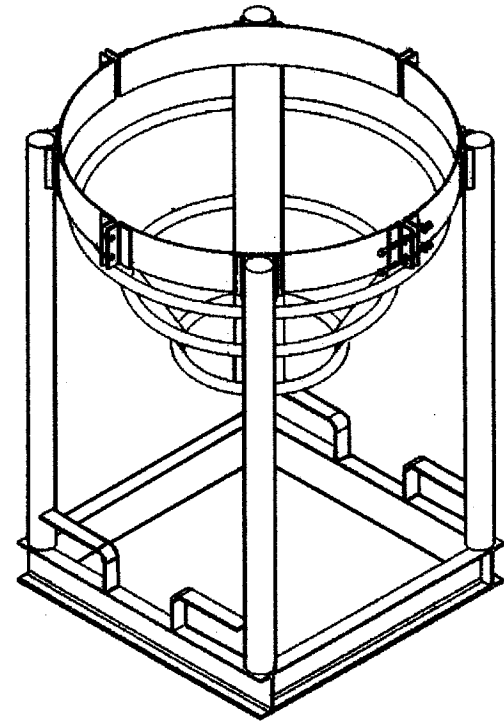
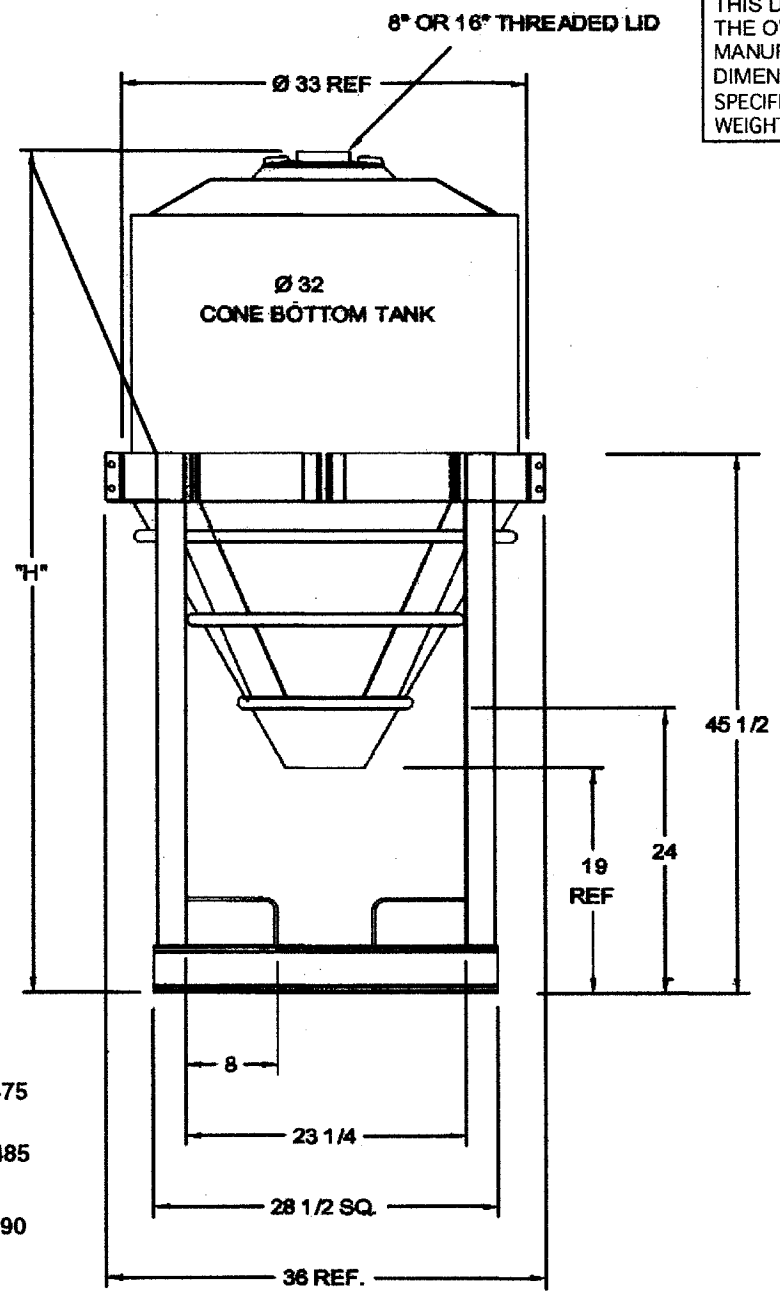


THIS DRAWING MAY NOT BE USED FOR ANY PURPOSE OTHER THAN BY THE OWNER. THE DRAWING & DESIGN ARE PROPERTY OF ROTONICS MANUFACTURING, INC. ALL DIMENSIONS SHOWN ARE OUTSIDE PART DIMENSIONS IN INCHES, AND MAY VARY DUE TO MATERIAL SHRINKAGE. SPECIFICATIONS ARE SUBJECT TO CHANGE WITHOUT NOTICE. GALLONS AND WEIGHTS ARE APPROXIMATE ONLY.



"H" W / LID		TANK	
8" LID	16" LID		
53"	52 1/2"	55 gal.	#6475
70 1/2"	70"	115 gal.	#6485
87 1/2"	87"	175 gal.	#6490
105 1/2"	105"	230 gal.	#6495

RMI-I
716 No. 11th Avenue
Caldwell, ID 83605
Phone: 208-454-9271
Fax: 208-454-3089

RMI-D
6770 Brighton Blvd.
Commerce City, CO 80022
Phone: 303-227-9300
Fax: 303-227-9308

RMI-G
17038 S. Figueroa St.
Gardena, CA 90248
Phone: 310-327-5401
Fax: 310-323-9567

DO NOT SCALE		ROTONICS MFG. INC.		17038 S. FIGUEROA ST. GARDENA, CA 90248 Phone: (310) 327-5401 Fax: (310) 323-9567		
APPROVALS	DATE	STAND (# 96857) OF 55 - 230 gal., Ø 32 CONE BOTTOM TK.				
DRAWN BY: DPHAM	RD 8/22/03					
DESIGN BY:						
CHECKED BY:		SIZE	A	DWG. No.	S-1177	REV.
APPROVED BY:		SCALE: 1 = 16		SHEET 1 of 1		