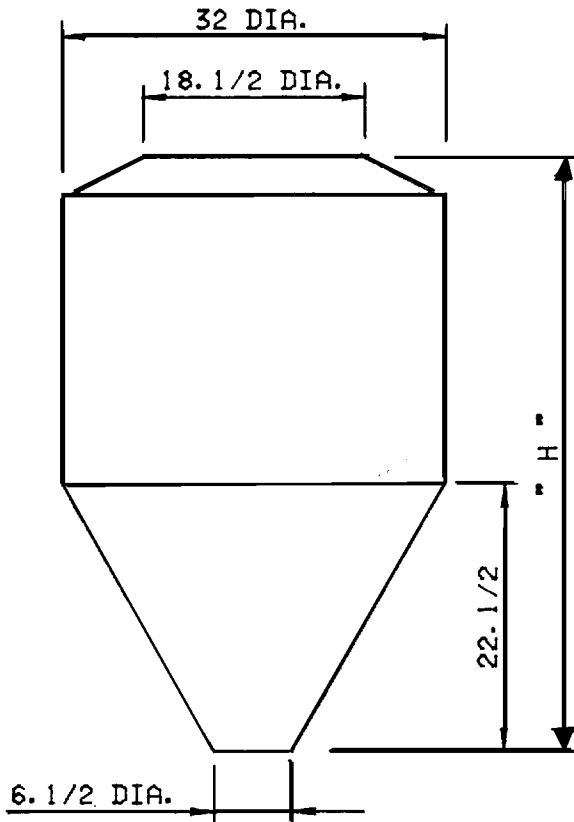
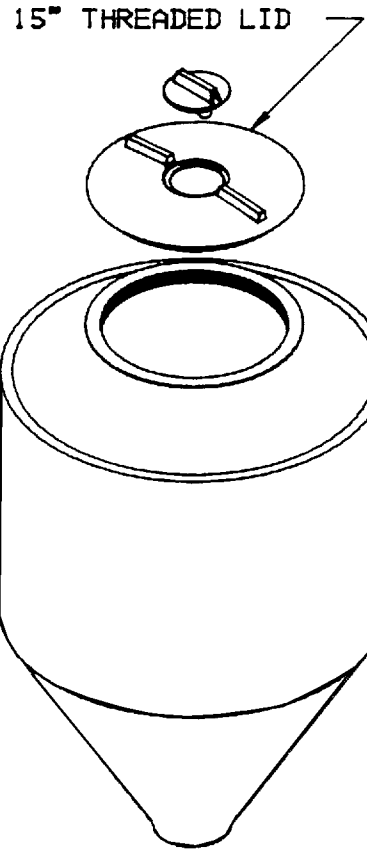
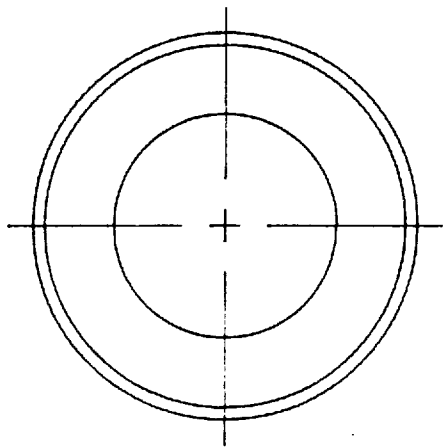


THIS DRAWING MAY NOT BE USED FOR ANY PURPOSE OTHER THAN BY THE OWNER. THE DRAWING & DESIGN ARE PROPERTY OF ROTONICS MANUFACTURING, INC. ALL DIMENSIONS SHOWN ARE OUTSIDE PART DIMENSIONS IN INCHES, AND MAY VARY DUE TO MATERIAL SHRINKAGE. SPECIFICATIONS ARE SUBJECT TO CHANGE WITHOUT NOTICE. GALLONS AND WEIGHTS ARE APPROXIMATE ONLY.



CHART

HEIGHT "H"	CAPACITY	ITEM#
31. 1/2"	55 GAL.	#6475
49 "	115 GAL.	#6485
66. 1/2"	175 GAL.	#6490
84"	230 GAL.	#6495

RMI-I
716 No. 11th Avenue
Caldwell, ID 83605
Phone: 208-454-9271
Fax: 208-454-3089

RMI-D
6770 Brighton Blvd.
Commerce City, CO 80022
Phone: 303-227-9300
Fax: 303-227-9308

RMI-G
17038 S. Figueroa St.
Gardena, CA 90248
Phone: 310-327-5401
Fax: 310-323-9567

ROTONICS MFG. INC.			
32" DIA. - H. D. CONE TANK SERIES - WITH 15" THREADED LID			
DRAWN BY: Dpham	DATE: 10-28-94	SCALE : 1 = 16	DWG. NO. S-1115