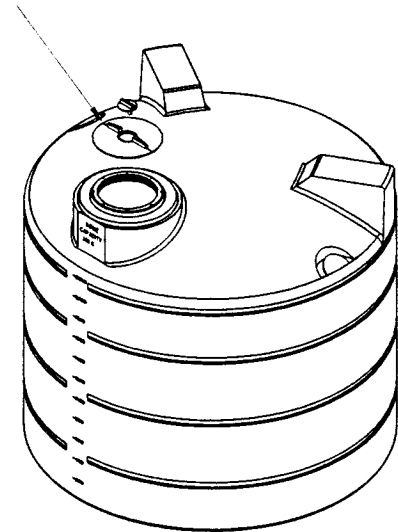


16" OR 22" THREADED LID



	OVERAL HEIGHT
WITH 16" LID	92"
WITH 22" LID	91"

THIS DRAWING MAY NOT BE USED FOR ANY PURPOSE OTHER THAN BY THE OWNER. THE DRAWING & DESIGN ARE PROPERTY OF ROTONICS MANUFACTURING, INC. ALL DIMENSIONS SHOWN ARE OUTSIDE PART DIMENSIONS IN INCHES, AND MAY VARY DUE TO MATERIAL SHRINKAGE. SPECIFICATIONS ARE SUBJECT TO CHANGE WITHOUT NOTICE. GALLONS AND WEIGHTS ARE APPROXIMATE ONLY.

ROTONICS MFG. INC.

17038 S. FIGUEROA ST.
GADENA CA. 90248
Phone: (310) 327-5401
Fax: (310) 323-9567

#6386

Ø 96 - 2600 gal VERTICAL TANK

DRAWN BY: Dpham	DESIGN BY: Dpham	DATE: 01/16/06	SCALE: 1 = 50	DWG. No. S-1435
--------------------	---------------------	-------------------	------------------	---------------------------