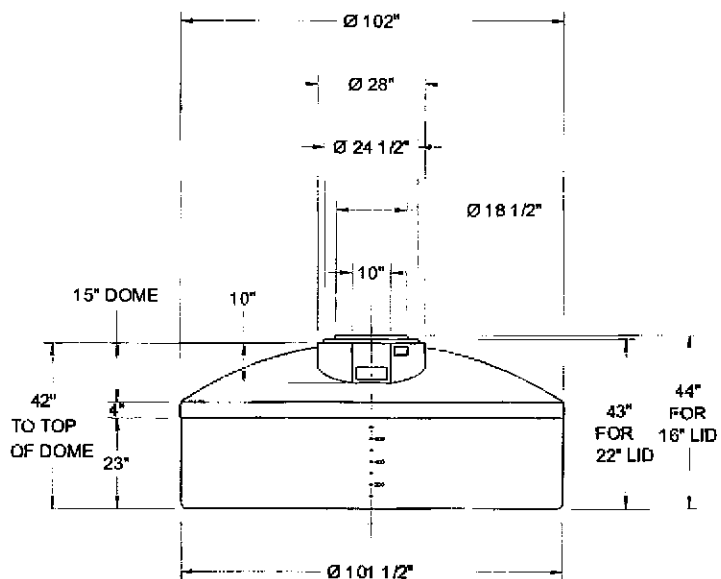
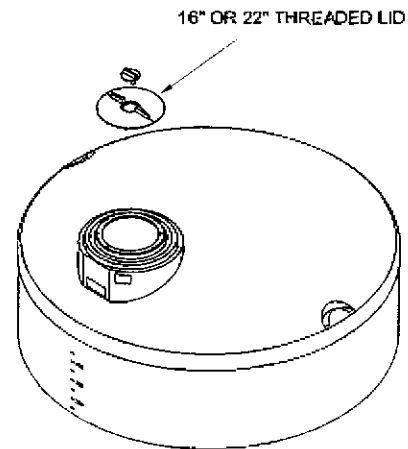
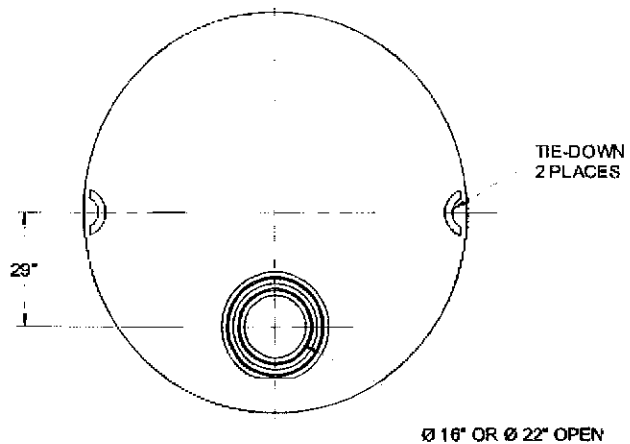


THIS DRAWING MAY NOT BE USED FOR ANY PURPOSE OTHER THAN BY THE OWNER. THE DRAWING & DESIGN ARE PROPERTY OF ROTONICS MANUFACTURING, INC. ALL DIMENSIONS SHOWN ARE OUTSIDE PART DIMENSIONS IN INCHES, AND MAY VARY DUE TO MATERIAL SHRINKAGE. SPECIFICATIONS ARE SUBJECT TO CHANGE WITHOUT NOTICE. GALLONS AND WEIGHTS ARE APPROXIMATE ONLY.



	OVERAL HEIGHT
WITH 16" LID	46"
WITH 22" LID	45"

DO NOT SCALE		ROTONICS MFG. INC.		17038 S. FIGUEROA ST. GARDENA, CA 90248 Phone:(310) 327-5401 Fax (310) 323-9567	
APPROVALS	DATE	#6353	Ø 102 - 1200 gal. VERTICAL TANK		
DRAWN BY: DPHAM	4/24/07				
DESIGN BY: DPHAM					
CHECKED BY: MARIO P.		SIZE	A	DWG. No. S-1963	REV
APPROVED BY: MARIO P.		SCALE : 1 = 50		SHEET 1 of 1	