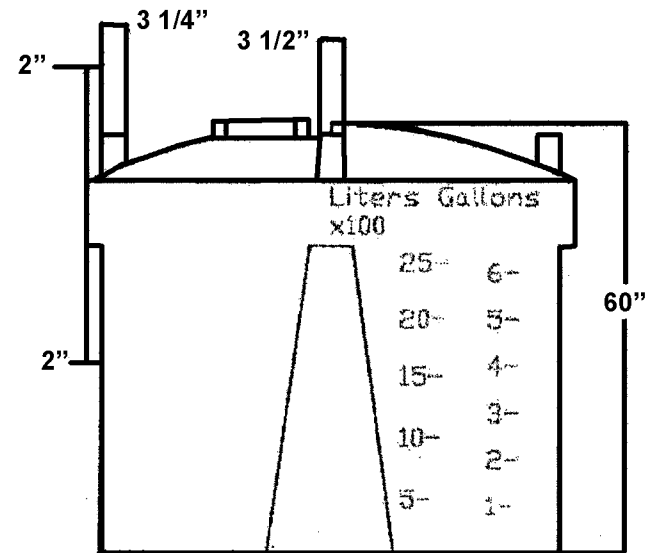
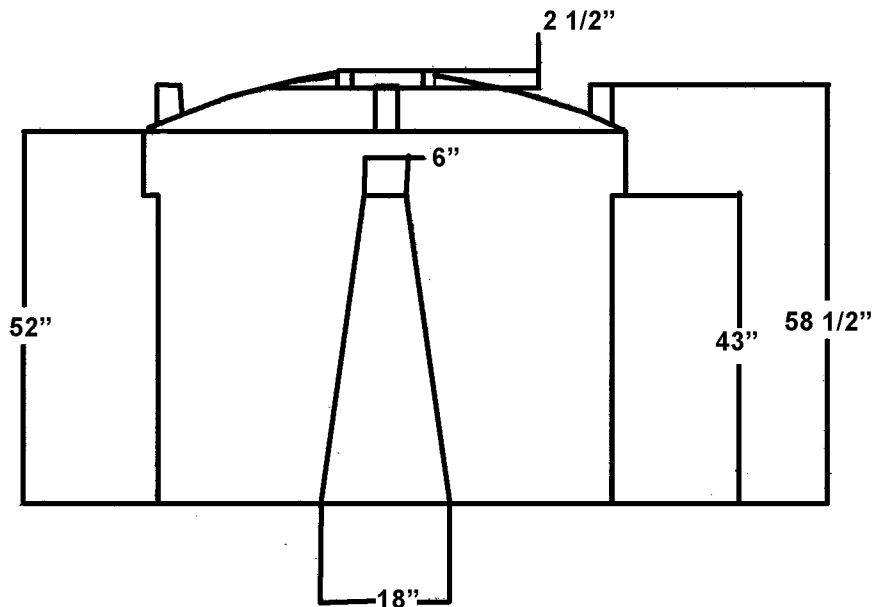
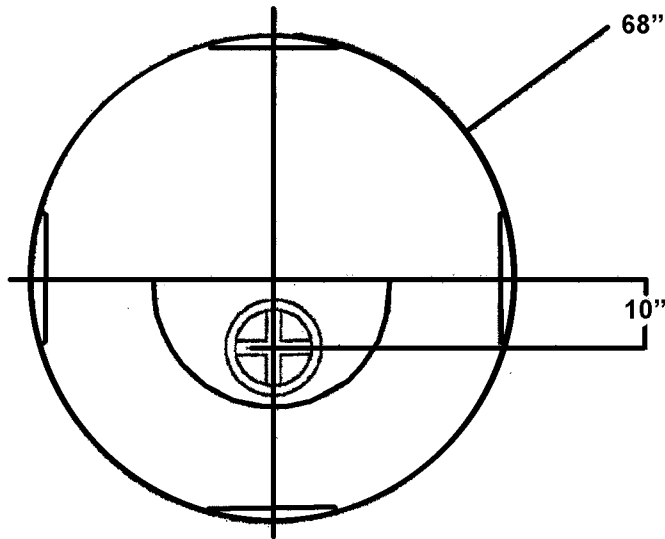


THIS DRAWING MAY NOT BE USED FOR ANY PURPOSE OTHER THAN BY THE OWNER. THE DRAWING & DESIGN ARE PROPERTY OF ROTONICS MANUFACTURING, INC. ALL DIMENSIONS SHOWN ARE OUTSIDE PART DIMENSIONS IN INCHES, AND MAY VARY DUE TO MATERIAL SHRINKAGE. SPECIFICATIONS ARE SUBJECT TO CHANGE WITHOUT NOTICE. GALLONS AND WEIGHTS ARE APPROXIMATE ONLY.



Rotonics Mfg. Inc. - II

DATE	DRAWN	DATE
	K. Crozier	03/25/02
SCALE	DESIGNED	DATE
None		
TOLERANCES	APPROVED	DATE
Fractions Min = ± 1/32		
K30 Dec Plcs = ± 0.004	CUSTOMER	P/N
K30 Dec Plcs = ± 0.003	RMI-C	N/A
DRAWING TITLE		SHEET
		1 OF 1

850 Gal. Vert. Tank