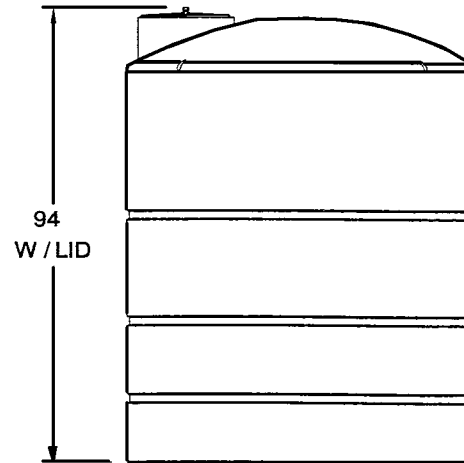
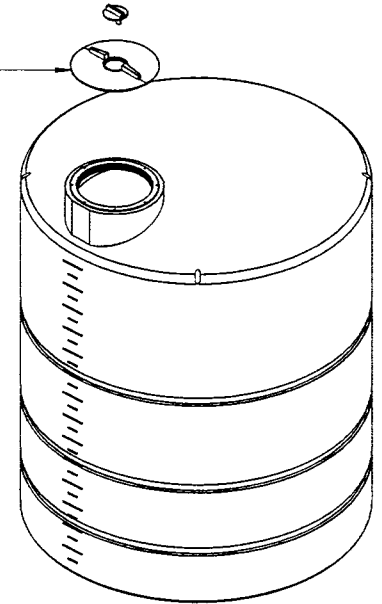


16" THREADED LID



RMI-I  
716 No. 11th Avenue  
Caldwell, ID 83605  
Phone: 208-454-9271  
Fax: 208-454-3089

RMI-G  
17038 S. Figueroa St.  
Gardena, CA 90248  
Phone: 310-327-5401  
Fax: 310-323-9567

THIS DRAWING MAY NOT BE USED FOR ANY PURPOSE OTHER THAN BY THE OWNER. THE DRAWING & DESIGN ARE PROPERTY OF ROTONICS MANUFACTURING, INC. ALL DIMENSIONS SHOWN ARE OUTSIDE PART DIMENSIONS IN INCHES, AND MAY VARY DUE TO MATERIAL SHRINKAGE. SPECIFICATIONS ARE SUBJECT TO CHANGE WITHOUT NOTICE. GALLONS AND WEIGHTS ARE APPROXIMATE ONLY.

**ROTONICS MFG. INC.**

#6360

**Ø 72" - 1500 gal. VERT. TANK**

DRAWN BY:  
Dpham

DESIGN BY:

DATE:  
9-25-03

SCALE:  
1 = 40

DWG. No.

**S-1183**