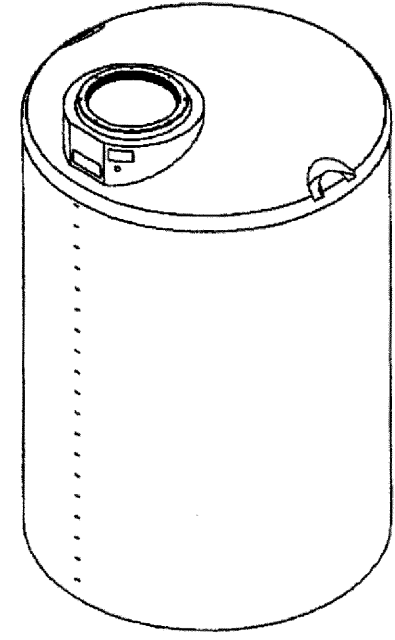
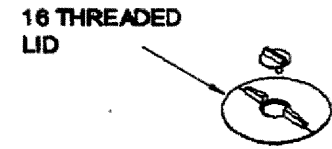
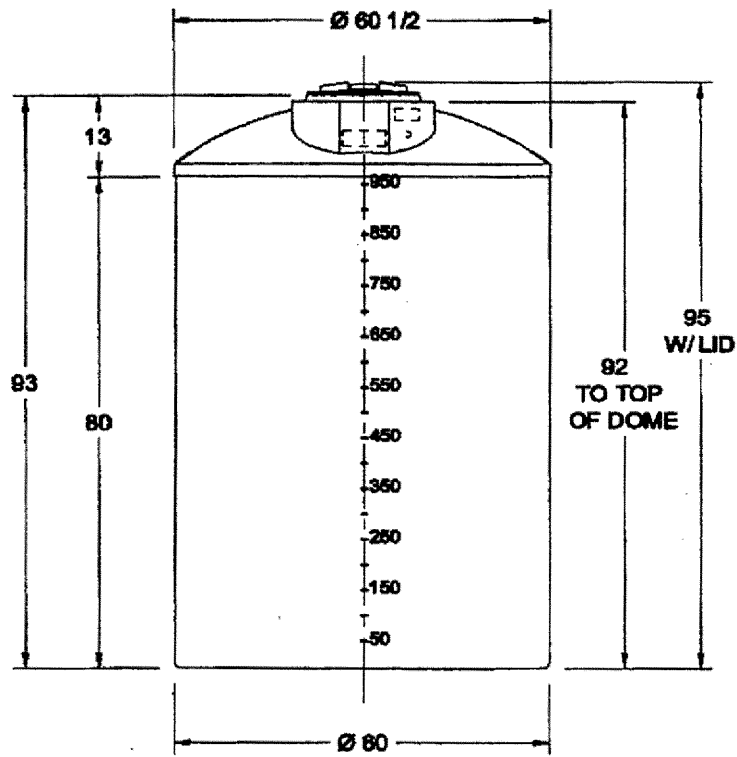


REVISIONS			
REV.	DESCRIPTION	DATE	APPROVED



RMI-D
 6770 Brighton Blvd.
 Commerce City, CO 80022
 Phone: 303-227-9300
 Fax: 303-227-9308

THIS DRAWING MAY NOT BE USED FOR ANY PURPOSE OTHER THAN BY THE OWNER. THE DRAWING & DESIGN ARE PROPERTY OF ROTONICS MANUFACTURING, INC. ALL DIMENSIONS SHOWN ARE OUTSIDE PART DIMENSIONS IN INCHES, AND MAY VARY DUE TO MATERIAL SHRINKAGE. SPECIFICATIONS ARE SUBJECT TO CHANGE WITHOUT NOTICE. GALLONS AND WEIGHTS ARE APPROXIMATE ONLY.

DO NOT SCALE		ROTONICS MFG. INC.		17038 E. PROLERDA ST. DARFENHA, CA 90248 Phone: (310) 327-6401 Fax: (310) 323-0887	
APPROVALS	DATE	Ø 61 - 1050 gal. VERT. TANK			
DRAWN BY: DPHAM	1/04/06				
DESIGN BY: DPHAM	1/04/06				
CHECKED BY: MARGOP		SIZE A	DWG. No. S-1530	REV.	
APPROVED BY: MARGOP		SCALE: 1 = 32		SHEET 1 of 1	