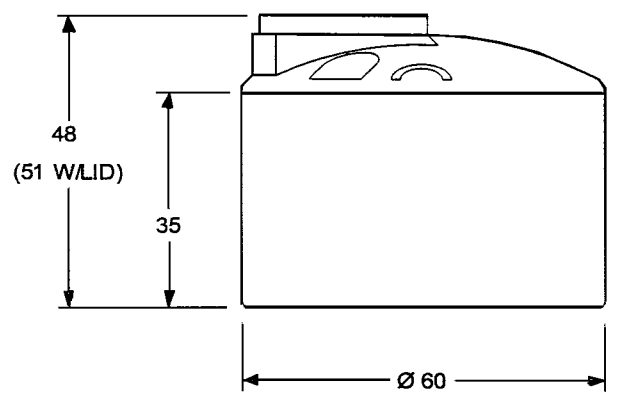
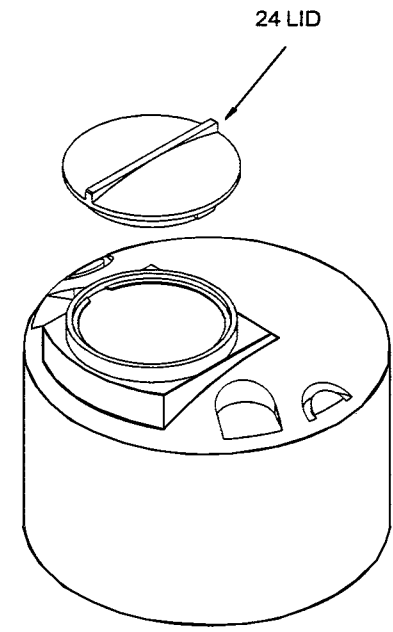
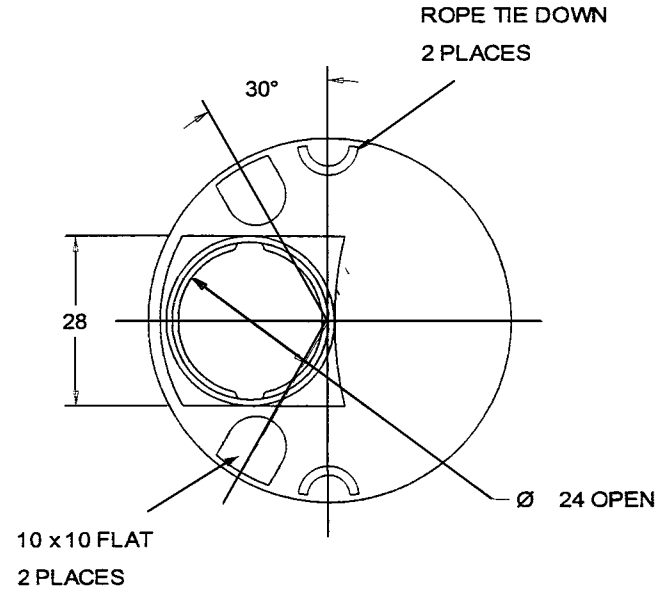


THIS DRAWING MAY NOT BE USED FOR ANY PURPOSE OTHER THAN BY THE OWNER. THE DRAWING & DESIGN ARE PROPERTY OF ROTONICS MANUFACTURING, INC. ALL DIMENSIONS SHOWN ARE OUTSIDE PART DIMENSIONS IN INCHES, AND MAY VARY DUE TO MATERIAL SHRINKAGE. SPECIFICATIONS ARE SUBJECT TO CHANGE WITHOUT NOTICE. GALLONS AND WEIGHTS ARE APPROXIMATE ONLY.



ROTONICS MFG. INC.			17038 S. FIGUEROA ST. GARDENA CA. 90248 Phone: (310) 327-5401 Fax: (310) 323-9567	
#6333				
Ø 60" - 500 GAL VERT. TANK				
DRAWN BY: Dpham	DESIGN BY:	DATE: ** 11/27/02	SCALE: 1 = 32	DWG. No. S-1386