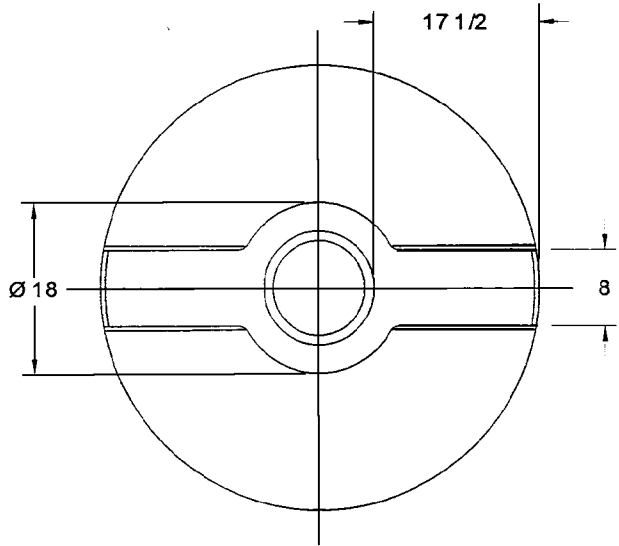
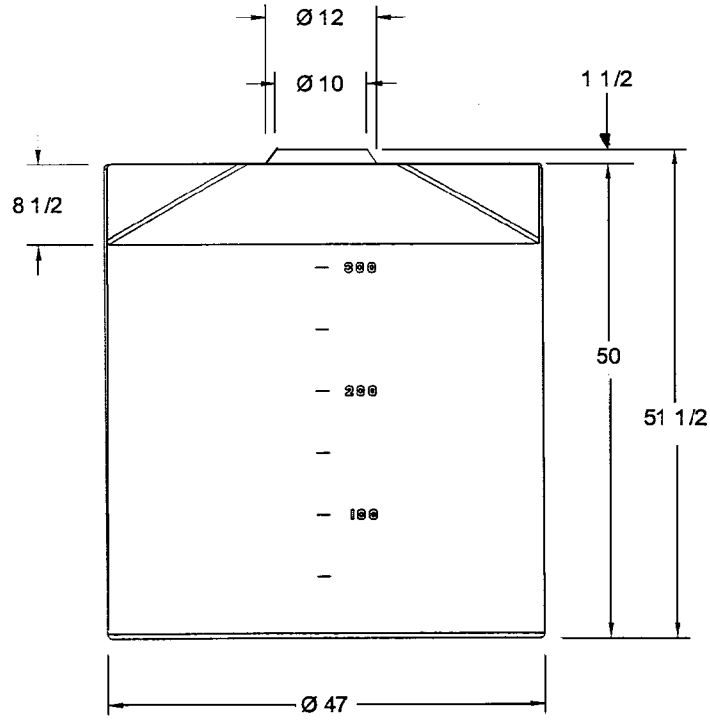
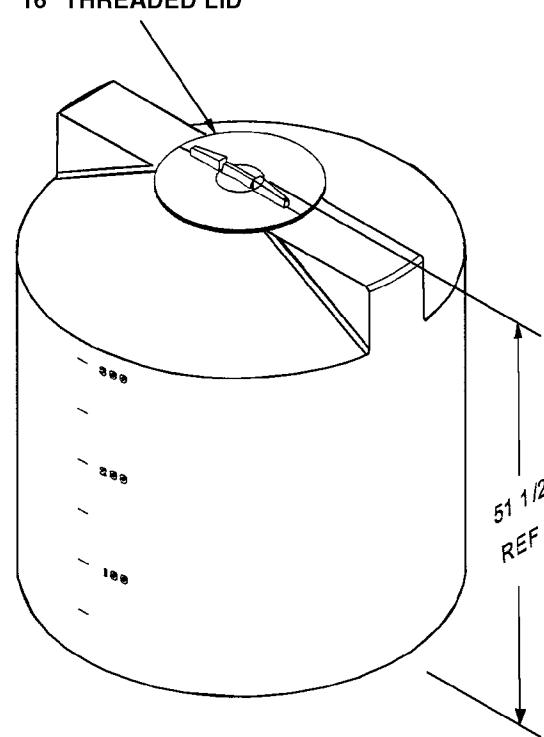
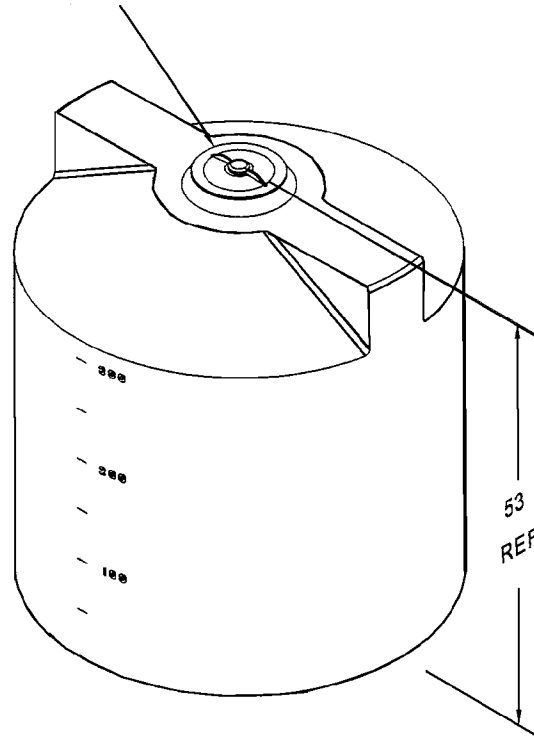


THIS DRAWING MAY NOT BE USED FOR ANY PURPOSE OTHER THAN BY THE OWNER. THE DRAWING & DESIGN ARE PROPERTY OF ROTONICS MANUFACTURING, INC. ALL DIMENSIONS SHOWN ARE OUTSIDE PART DIMENSIONS IN INCHES, AND MAY VARY DUE TO MATERIAL SHRINKAGE. SPECIFICATIONS ARE SUBJECT TO CHANGE WITHOUT NOTICE. GALLONS AND WEIGHTS ARE APPROXIMATE ONLY.



8" THREADED LID

16" THREADED LID



- | | | | | |
|--|---|--|---|--|
| RM-C
736 Birginal Drive
Bensenville, IL 60106
Phone: 630-773-9510
Fax: 630-773-4274 | RMI-I
716 No. 11th Avenue
Caldwell, ID 83605
Phone: 208-454-9271
Fax: 208-454-3089 | RMI-D
6770 Brighton Blvd.
Commerce City, CO 80022
Phone: 303-227-9300
Fax: 303-227-9308 | RMI-F
230 Bartow Mun. Airport
Bartow, FL 33830
Phone: 863-534-1766
Fax: 863-533-0407 | RMI-G
17038 S. Figueroa St.
Gardena, CA 90248
Phone: 310-327-5401
Fax: 310-323-9567 |
|--|---|--|---|--|

ROTONICS MFG. INC.			
#6330			
Ø 47 - 330 GAL. VERT. TANK			
DRAWN BY: Dpham	DATE : 9-25-03	SCALE : 1 = 20	DWG. No. S-1098 REV. A