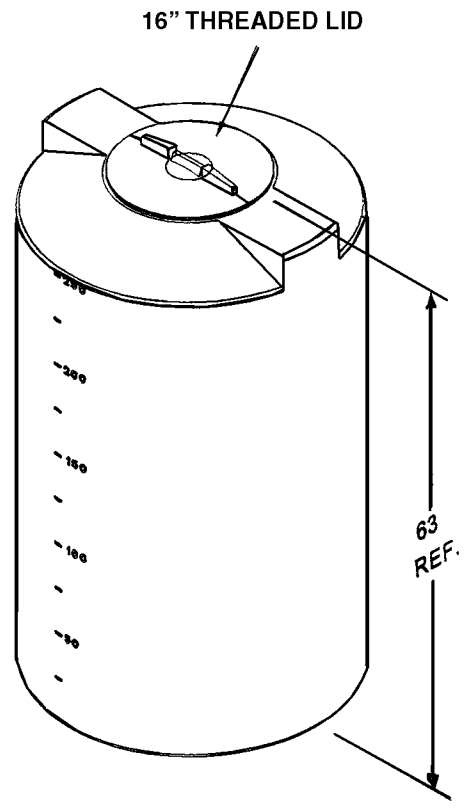
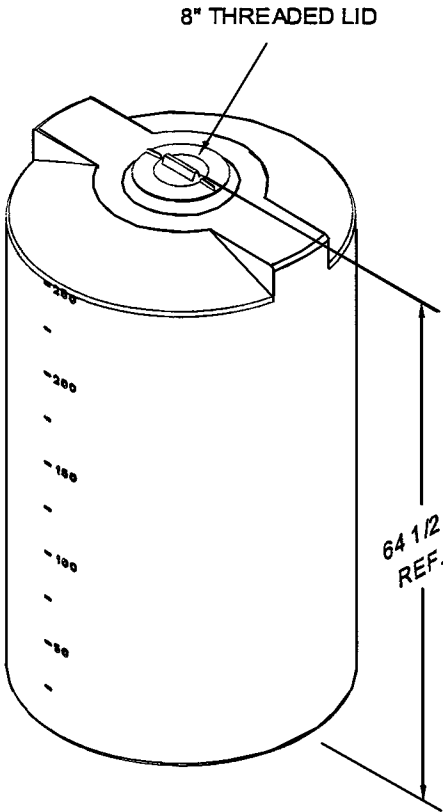
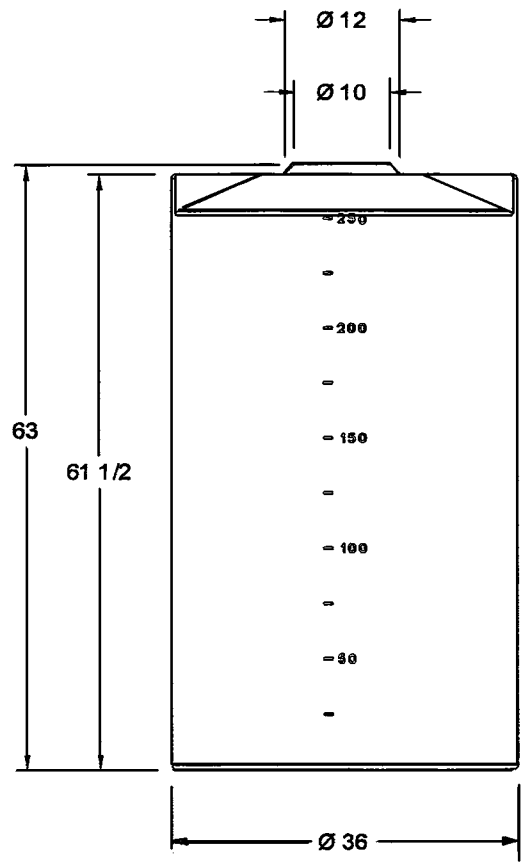
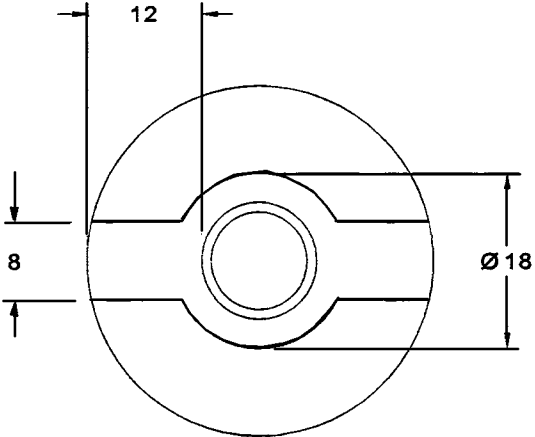


THIS DRAWING MAY NOT BE USED FOR ANY PURPOSE OTHER THAN BY THE OWNER. THE DRAWING & DESIGN ARE PROPERTY OF ROTONICS MANUFACTURING, INC. ALL DIMENSIONS SHOWN ARE OUTSIDE PART DIMENSIONS IN INCHES, AND MAY VARY DUE TO MATERIAL SHRINKAGE. SPECIFICATIONS ARE SUBJECT TO CHANGE WITHOUT NOTICE. GALLONS AND WEIGHTS ARE APPROXIMATE ONLY.



**ROTONICS MFG. INC.** 17038 S. FIGUEROA ST.  
GARDENA CA. 90248  
Phone: (310) 327-5401  
Fax: (310) 323-9567

#6327  
**Ø 36 - 250 gal. VERT. TANK**

DRAWN BY: Dpham	DESIGN BY: Dpham	DATE: ** 9-25-03	SCALE: 1 = 20	DWG. No. <b>S-1407</b>
--------------------	---------------------	---------------------	------------------	---------------------------