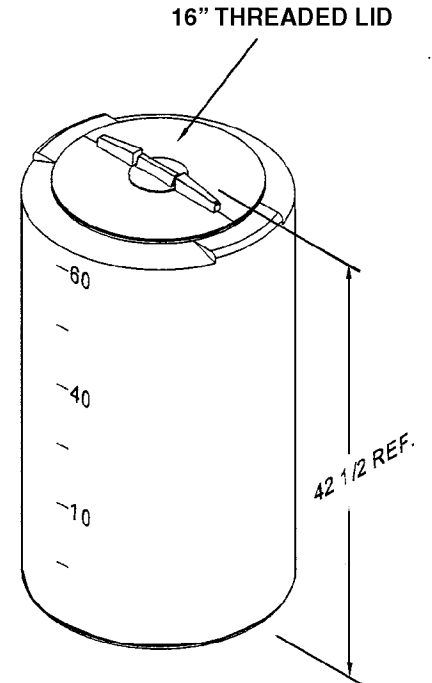
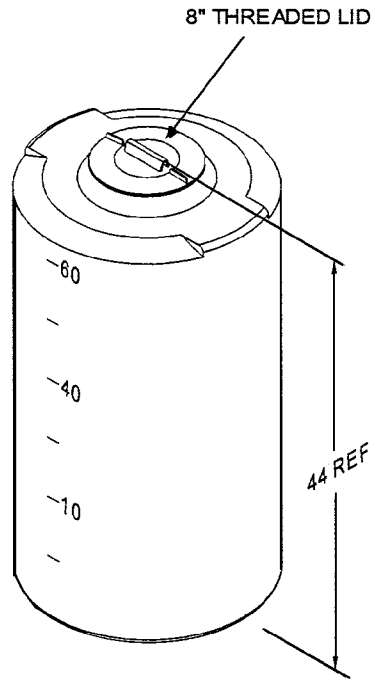
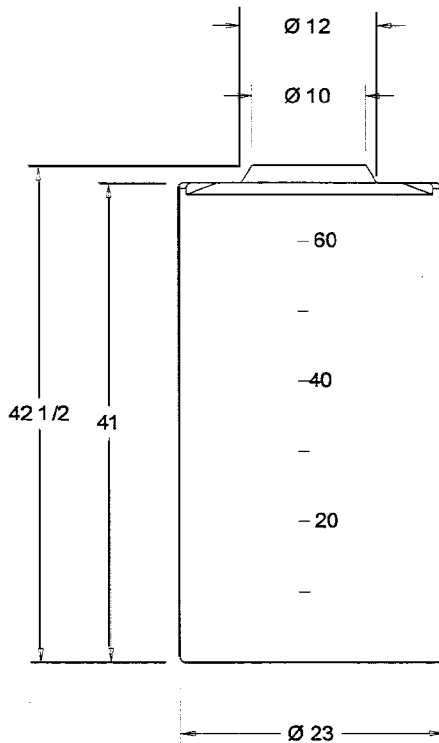
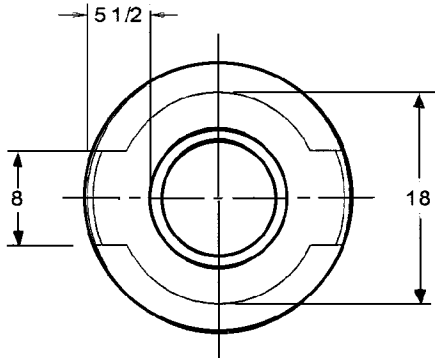


THIS DRAWING MAY NOT BE USED FOR ANY PURPOSE OTHER THAN BY THE OWNER. THE DRAWING & DESIGN ARE PROPERTY OF ROTONICS MANUFACTURING, INC. ALL DIMENSIONS SHOWN ARE OUTSIDE PART DIMENSIONS IN INCHES, AND MAY VARY DUE TO MATERIAL SHRINKAGE. SPECIFICATIONS ARE SUBJECT TO CHANGE WITHOUT NOTICE. GALLONS AND WEIGHTS ARE APPROXIMATE ONLY.



**RM-C**  
736 Birginal Drive  
Bensenville, IL 60106  
Phone: 630-773-9510  
Fax: 630-773-4274

**RMI-I**  
716 No. 11th Avenue  
Caldwell, ID 83605  
Phone: 208-454-9271  
Fax: 208-454-3089

**RMI-D**  
6770 Brighton Blvd.  
Commerce City, CO 80022  
Phone: 303-227-9300  
Fax: 303-227-9308

**RMI-F**  
230 Bartow Mun. Airport  
Bartow, FL 33830  
Phone: 863-534-1766  
Fax: 863-533-0407

**RMI-G**  
17038 S. Figueroa St.  
Gardena, CA 90248  
Phone: 310-327-5401  
Fax: 310-323-9567

# ROTONICS MFG. INC.

6770 Brighton Blvd.  
Commerce City, CO 80022  
Phone: 303-227-9300  
Fax: 303-227-9308

# 6318

## Ø 23" - 70 gal. VERTICAL TANK

DRAWN BY:  
Dpham

DESIGN BY:

DATE: \*\*  
9-25-03

SCALE:  
1 = 16

DWG. No.

**S-1095**