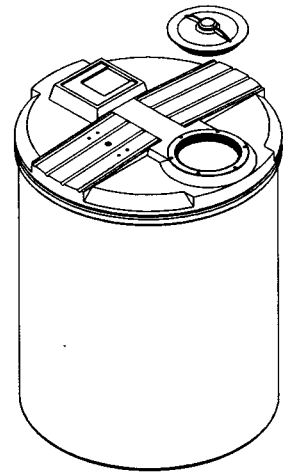
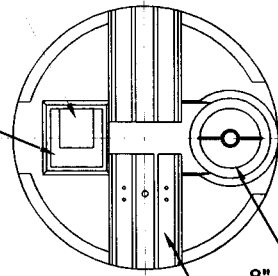


THIS DRAWING MAY NOT BE USED FOR ANY PURPOSE OTHER THAN BY THE OWNER. THE DRAWING & DESIGN ARE PROPERTY OF ROTONICS MANUFACTURING, INC. ALL DIMENSIONS SHOWN ARE OUTSIDE PART DIMENSIONS IN INCHES, AND MAY VARY DUE TO MATERIAL SHRINKAGE. SPECIFICATIONS ARE SUBJECT TO CHANGE WITHOUT NOTICE. GALLONS AND WEIGHTS ARE APPROXIMATE ONLY.



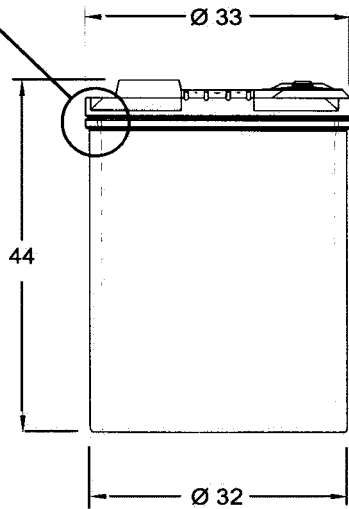
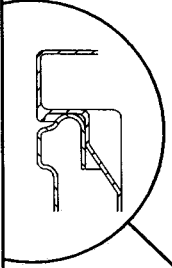
PUMP AREA
4 1/4 X 4 7/8

PUMP AREA
6 1/2 X 7 1/4



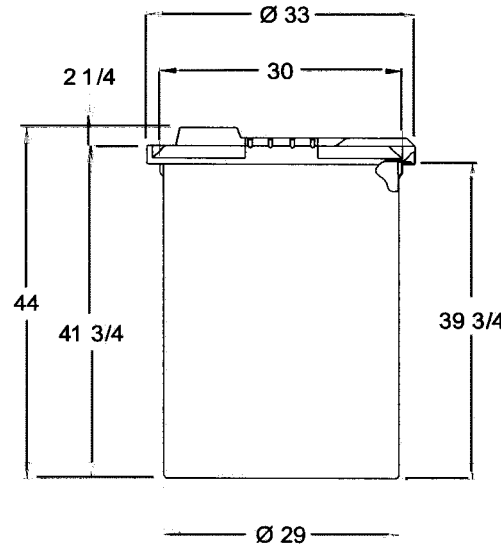
8" THREADED LID

9 x 14 MIXER PAD
@ 4° WITH HORIZONTAL PLANE

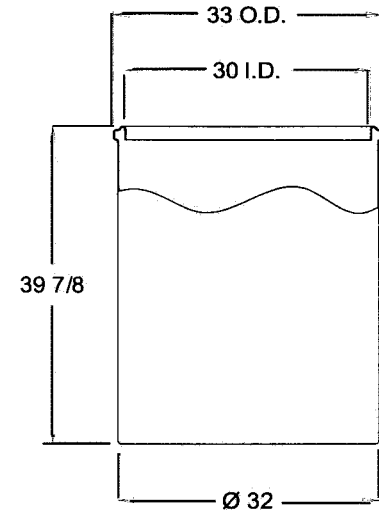


BASIN & TANK

TANK



BASIN



Rotonics Mfg. Inc.
www.rottonics.com

17038 S. FIGUEROA ST.
GARDENA, CA 90248
Phone: (310) 327-5401
Fax: (310) 323-9567

6321 - 120 gal. VERT. TANK
#63211 - 140 gal. OVERFLOW BASIN

RMI-F
230 Bartow Mun. Airport
Bartow, FL 33830
Phone: 863-534-1766
Fax: 863-533-0629

Drawn By: Dpham	Design By:	Scale: 1 = 24	Date: 7-16-99	Drawing Number: S-1370
--------------------	------------	------------------	------------------	---------------------------