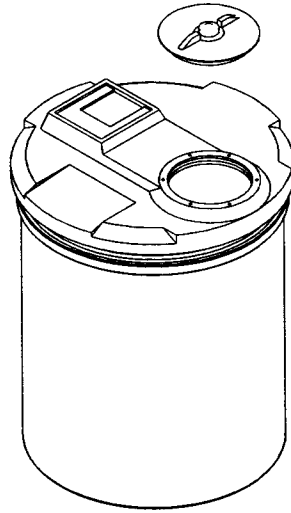


PUMP AREA
4 1/4 x 4 7/8

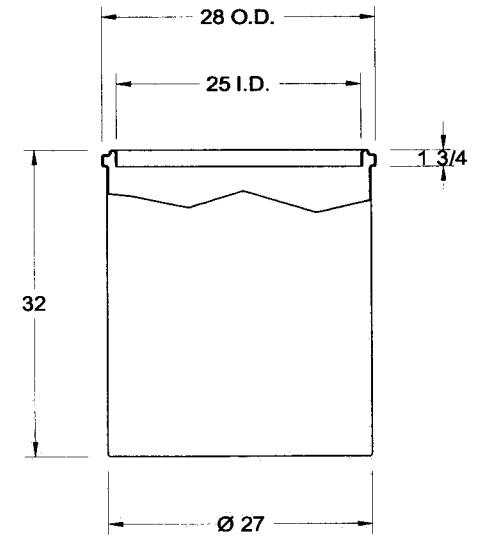
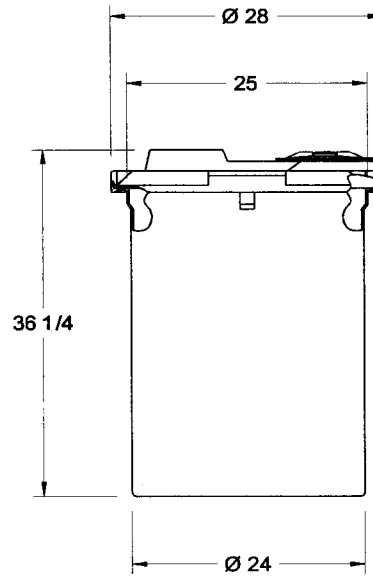
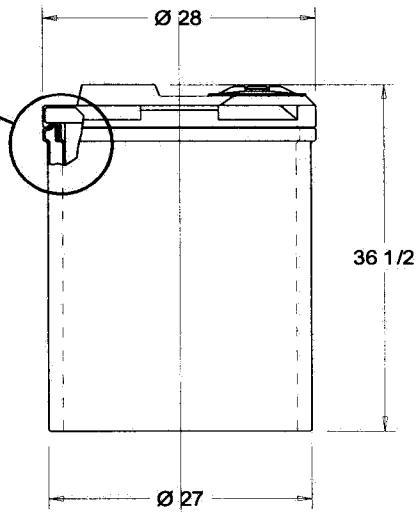
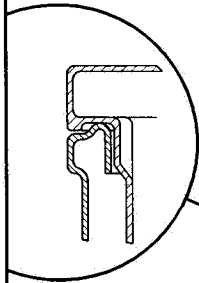
8" THREADED LID

PUMP AREA
6 1/2 x 7 1/4



TANK

BASIN



BASIN & TANK

THIS DRAWING MAY NOT BE USED FOR ANY PURPOSE OTHER THAN BY THE OWNER. THE DRAWING & DESIGN ARE PROPERTY OF ROTONICS MANUFACTURING, INC. ALL DIMENSIONS SHOWN ARE OUTSIDE PART DIMENSIONS IN INCHES, AND MAY VARY DUE TO MATERIAL SHRINKAGE. SPECIFICATIONS ARE SUBJECT TO CHANGE WITHOUT NOTICE. GALLONS AND WEIGHTS ARE APPROXIMATE ONLY.

RMI-F
230 Bartow Mun. Airport
Bartow, FL 33830
Phone: 863-534-1766
Fax: 863-533-0629

Rotonics Mfg. Inc.
www.rotomics.com

17038 So. Figueroa Street.
Gardena, CA 90248
Phone: 310-327-5401
Fax: 310-323-9567

#6319 - 65 gal. Vertical Tank
#63191 - 77 gal. Overflow Basin

Drawn By:
Dpham

Design By:

Date:
10-15-99

Scale:
1 = 20

Drawing Number:
S-1361B