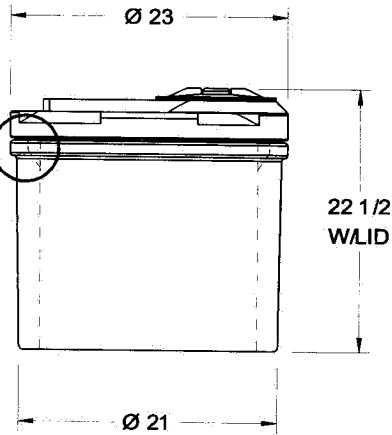
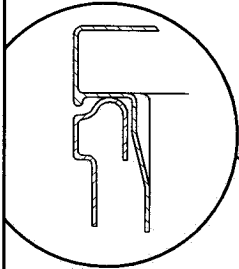
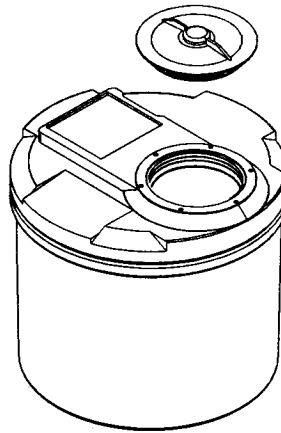
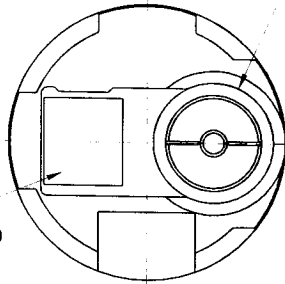


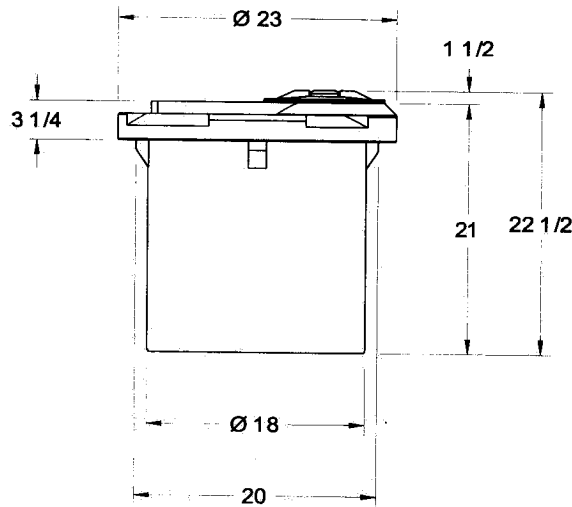
THIS DRAWING MAY NOT BE USED FOR ANY PURPOSE OTHER THAN BY THE OWNER. THE DRAWING & DESIGN ARE PROPERTY OF ROTONICS MANUFACTURING, INC. ALL DIMENSIONS SHOWN ARE OUTSIDE PART DIMENSIONS IN INCHES, AND MAY VARY DUE TO MATERIAL SHRINKAGE. SPECIFICATIONS ARE SUBJECT TO CHANGE WITHOUT NOTICE. GALLONS AND WEIGHTS ARE APPROXIMATE ONLY.

8" THREADED LID

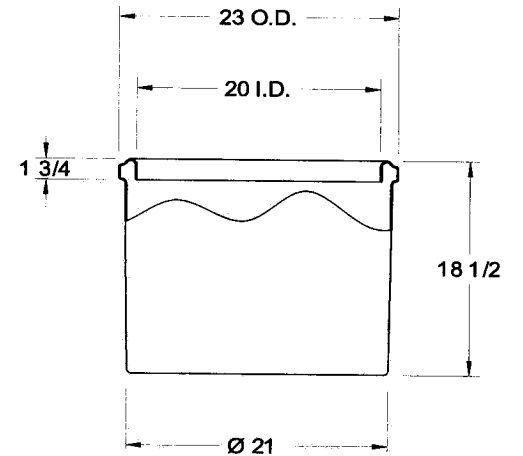
PUMP AREA  
6 1/2 W x 7 1/4 L x 1/4 D



BASIN & TANK



TANK



BASIN

RMI-F  
230 Bartow Mun. Airport  
Bartow, FL 33830  
Phone: 863-534-1766  
Fax: 863-533-0629

Rotonics Mfg. Inc.  
www.rotomics.com

17038 S. FIGUEROA ST.  
GARDENA, CA 90248  
Phone: (310) 327-5401  
Fax: (310) 323-9567

#6313 - 18 gal. Vertical Tank

#63131 - 21 gal. Overflow Tank

Drawn By: Dpham	Design By:	Date: 5-21-99	Scale: 1 = 16	Drawing Number: S-1365
--------------------	------------	------------------	------------------	---------------------------