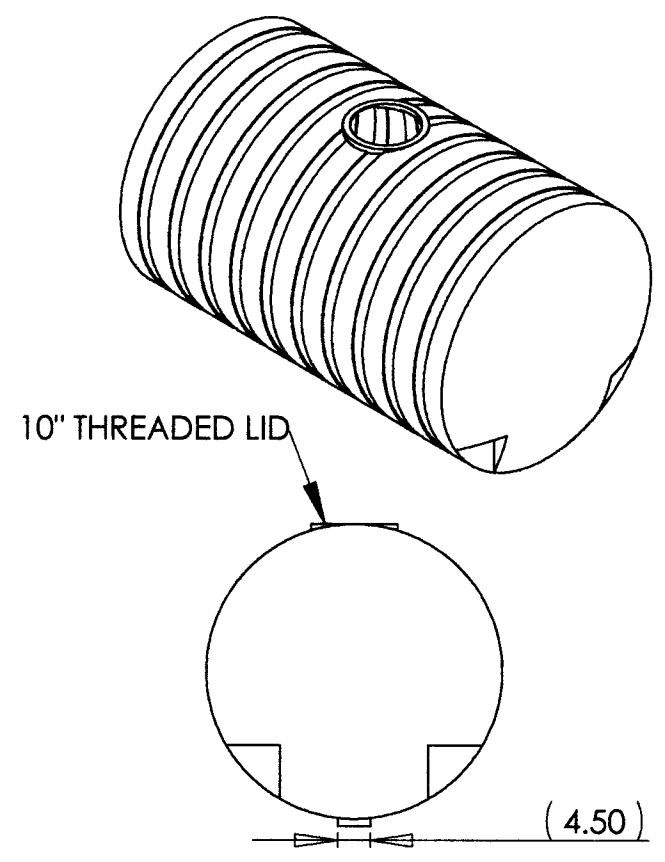
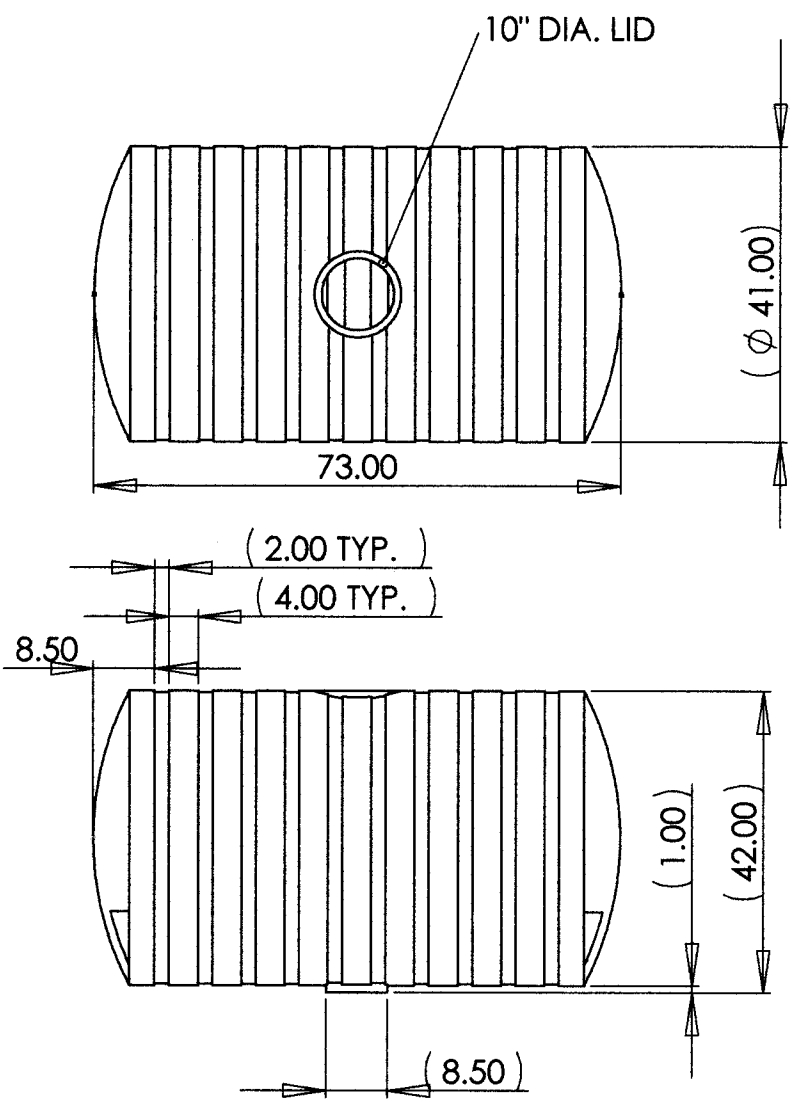


THIS DRAWING MAY NOT BE USED FOR ANY PURPOSE OTHER THAN BY THE OWNER. THE DRAWING & DESIGN ARE PROPERTY OF ROTONICS MANUFACTURING, INC. ALL DIMENSIONS SHOWN ARE OUTSIDE PART DIMENSIONS IN INCHES, AND MAY VARY DUE TO MATERIAL SHRINKAGE. SPECIFICATIONS ARE SUBJECT TO CHANGE WITHOUT NOTICE. GALLONS AND WEIGHTS ARE APPROXIMATE ONLY.



RMI-I
 716 No. 11th Avenue
 Caldwell, ID 83605
 Phone: 208-454-9271
 Fax: 208-454-3089

ROTONICS MFG. INC.				
#6458		400 GALLON HORIZONTAL SADDLE TANKS		
DRAWN BY: HUTHMACHER	DESIGN BY:	DATE : 8/6/03	SCALE : 1 = 25	DWG. NO.