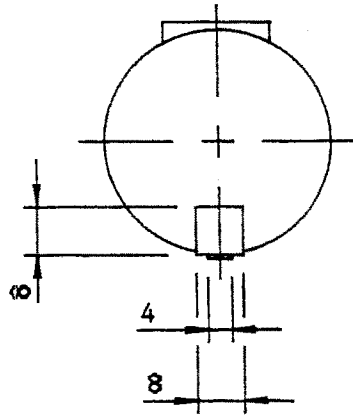
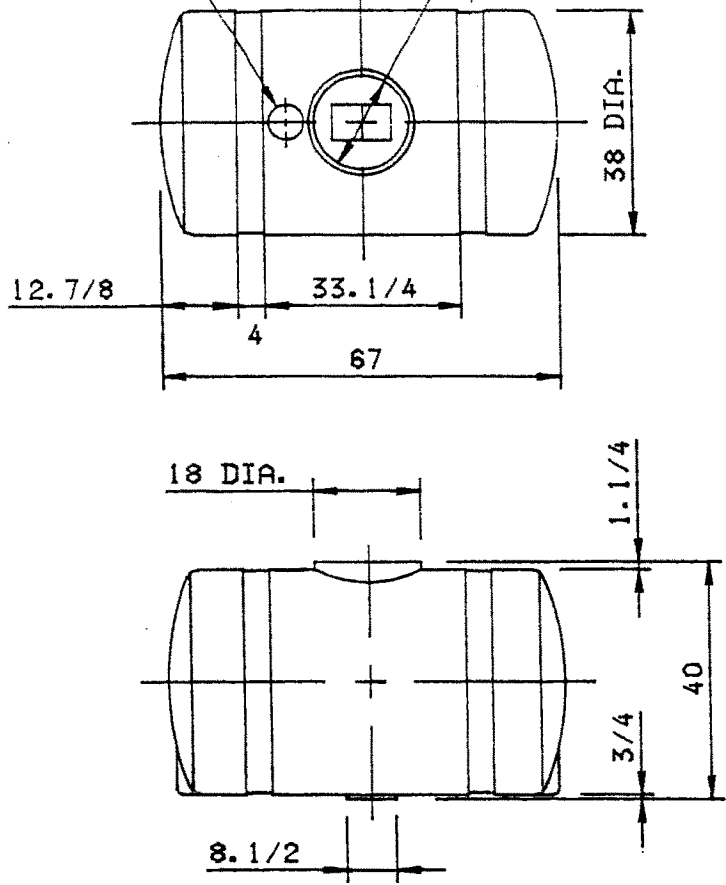
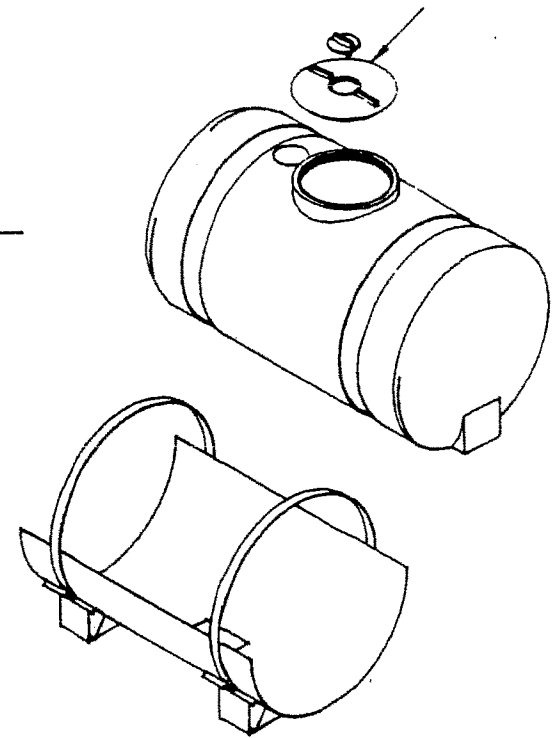


THIS DRAWING MAY NOT BE USED FOR ANY PURPOSE OTHER THAN BY THE OWNER. THE DRAWING & DESIGN ARE PROPERTY OF ROTONICS MANUFACTURING, INC. ALL DIMENSIONS SHOWN ARE OUTSIDE PART DIMENSIONS IN INCHES, AND MAY VARY DUE TO MATERIAL SHRINKAGE. SPECIFICATIONS ARE SUBJECT TO CHANGE WITHOUT NOTICE. GALLONS AND WEIGHTS ARE APPROXIMATE ONLY.

6 DIA. FLAT
16 DIA. - OPENING



15" THREADED LID



SADDLE ASSY.
OPTIONAL

RMI-D
6770 Brighton Blvd.
Commerce City, CO 80022
Phone: 303-227-9300
Fax: 303-227-9308

ROTONICS MFG. INC.				
#6455		300 GALLON HORIZONTAL SADDLE TANKS		
DRAWN BY: Dpham	DESIGN BY:	DATE : 3-7-95	SCALE : 1 = 32	DWG. NO. S-1172