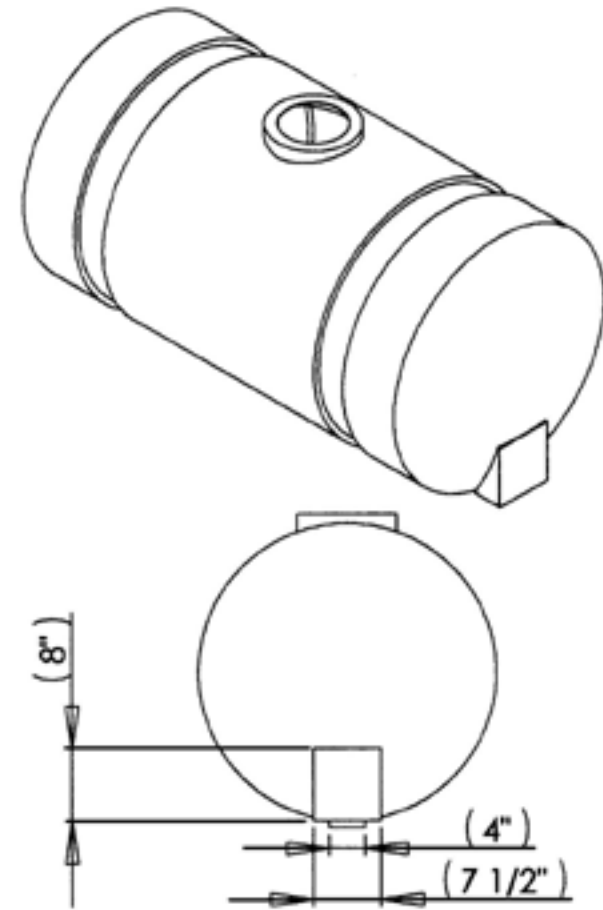
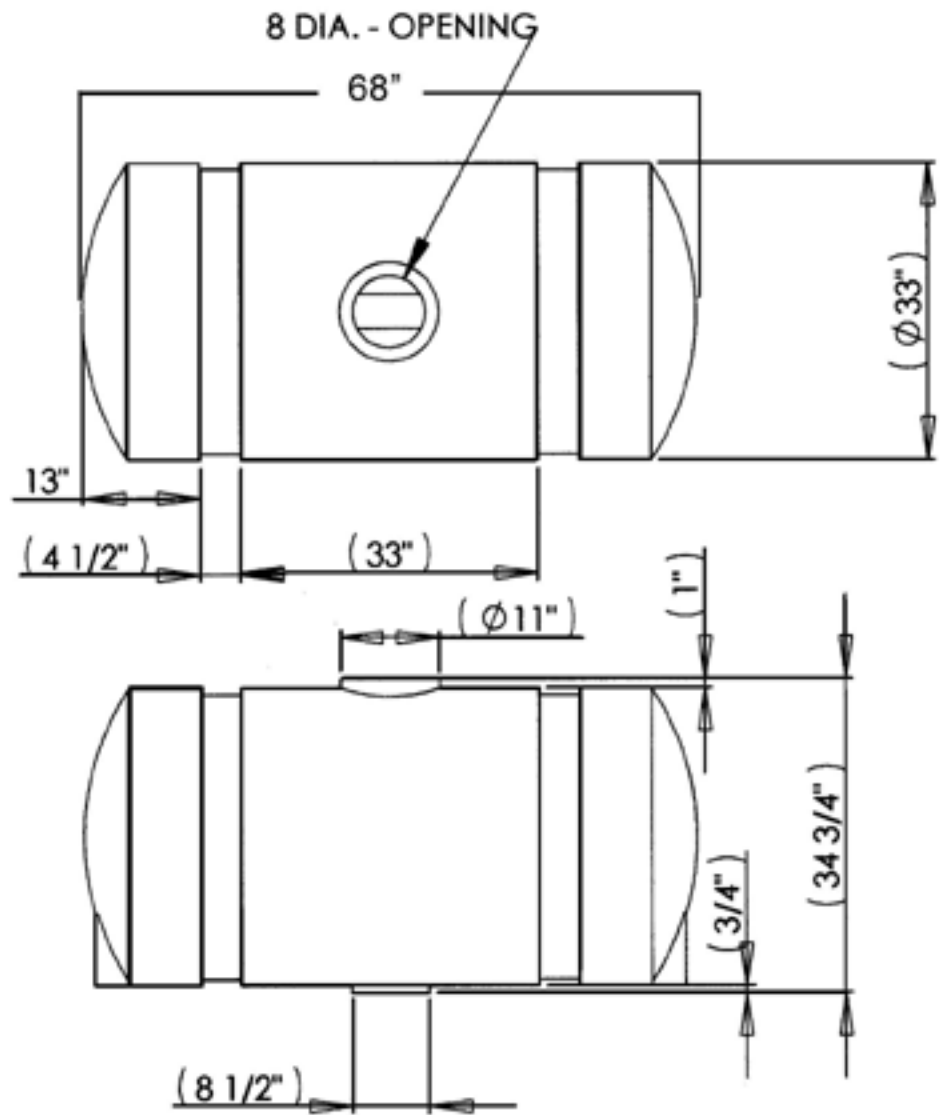


THIS DRAWING MAY NOT BE USED FOR ANY PURPOSE OTHER THAN BY THE OWNER. THE DRAWING & DESIGN ARE PROPERTY OF ROTONICS MANUFACTURING, INC. ALL DIMENSIONS SHOWN ARE OUTSIDE PART DIMENSIONS IN INCHES, AND MAY VARY DUE TO MATERIAL SHRINKAGE SPECIFICATIONS ARE SUBJECT TO CHANGE WITHOUT NOTICE. GALLONS AND WEIGHTS ARE APPROXIMATE ONLY.



RMI-I  
716 North 11th Ave.  
Caldwell, ID 83605  
Phone: 208-454-9271  
Fax: 208-454-3089

RMI-D  
6770 Brighton Blvd.  
Commerce City, CO 80022  
Phone: 303-227-9300  
Fax: 303-227-9308

<b>ROTONICS MFG. INC.</b>				
#6450	<b>200 GAL. LOW PROFILE HORIZONTAL SADDLE TANKS</b>			
<b>DRAWN BY:</b> HUTHMACHER	<b>DESIGN BY:</b>	<b>DATE:</b> 8/1/03	<b>SCALE:</b> 1 = 20	<b>DWG. NO.:</b>