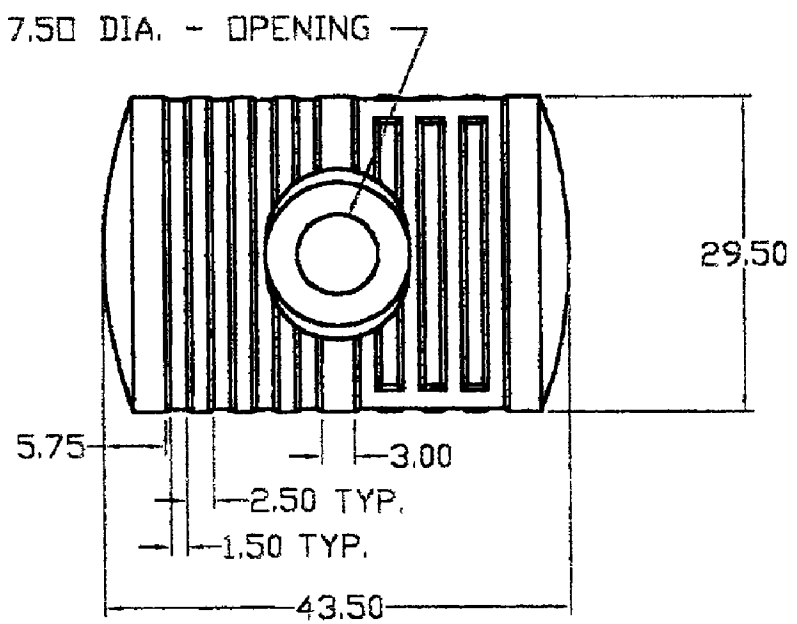
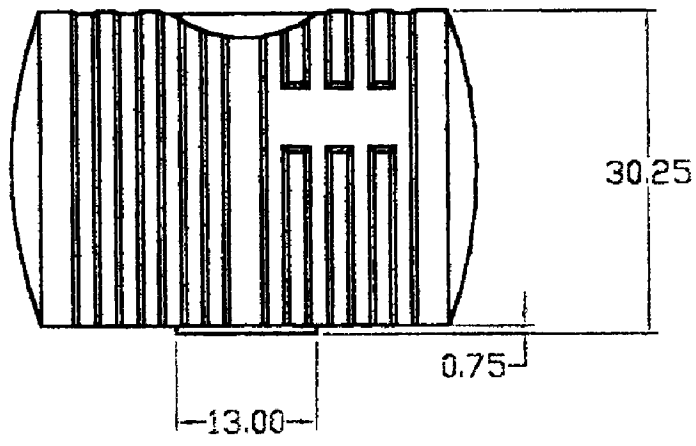
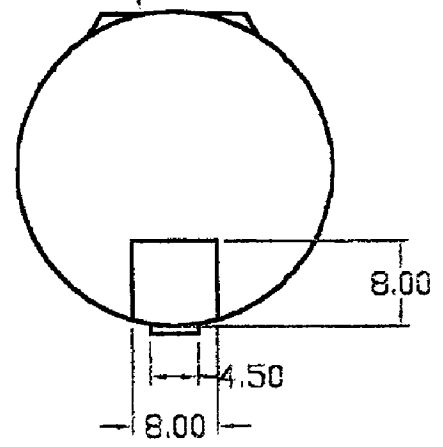


THIS DRAWING MAY NOT BE USED FOR ANY PURPOSE OTHER THAN BY THE OWNER. THE DRAWING & DESIGN ARE PROPERTY OF ROTONICS MANUFACTURING, INC. ALL DIMENSIONS SHOWN ARE OUTSIDE PART DIMENSIONS IN INCHES, AND MAY VARY DUE TO MATERIAL SHRINKAGE. SPECIFICATIONS ARE SUBJECT TO CHANGE WITHOUT NOTICE. GALLONS AND WEIGHTS ARE APPROXIMATE ONLY.



8" THREADED LID



<p>RMI-C 736 Birginal Drive Bensenville, IL 60106 Phone: 630-773-9510 Fax: 630-773-4274</p>	<p>RMI-I 716 No. 11th Avenue Caldwell, ID 83605 Phone: 208-454-9271 Fax: 208-454-3089</p>	<p>RMI-D 6770 Brighton Blvd. Commerce City, CO 80022 Phone: 303-227-9300 Fax: 303-227-9308</p>
---	---	--

ROTONICS MFG. INC.				
#6432		110 GALLON HORIZONTAL SADDLE TANKS		
DRAWN BY: C. Taylor	DESIGN BY:	DATE : 3-11-03	SCALE : NONE	DWG. NO. T-031103