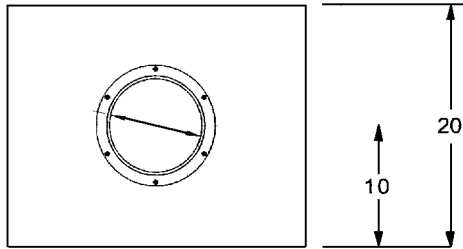


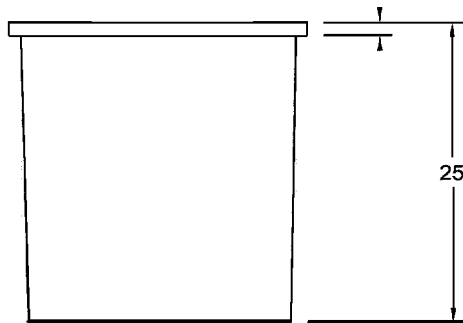
Ø 8 OPEN



← 12 1/2 →

← 25 →

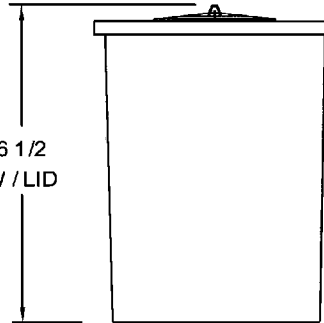
1 1/8



← 22 →

← 23 →

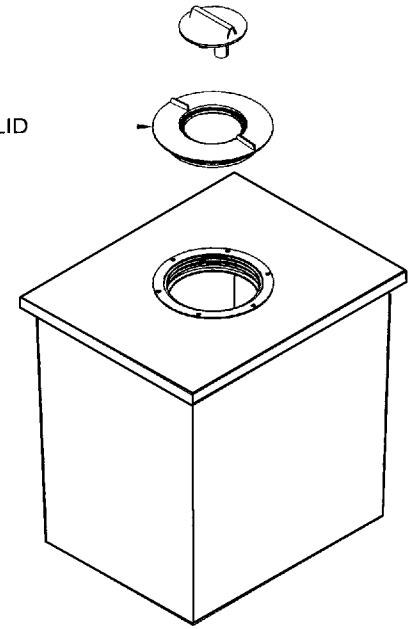
26 1/2
W / LID



← 17 →

← 18 →

8" THREADED LID



THIS DRAWING MAY NOT BE USED FOR ANY PURPOSE OTHER THAN BY THE OWNER. THE DRAWING & DESIGN ARE PROPERTY OF ROTONICS MANUFACTURING, INC. ALL DIMENSIONS SHOWN ARE OUTSIDE PART DIMENSIONS IN INCHES, AND MAY VARY DUE TO MATERIAL SHRINKAGE. SPECIFICATIONS ARE SUBJECT TO CHANGE WITHOUT NOTICE. GALLONS AND WEIGHTS ARE APPROXIMATE ONLY.

ROTONICS MFG. INC.

17038 S. FIGUEROA ST.
GARDENA, CA 90248
Phone : (310) 327 - 5041
Fax : (310) 323 - 9567

#6433

42 gal. RECTANGULAR TANK

DRAWN BY:	DESIGN BY:	DATE : **	SCALE :	DWG. #	REV.	SHT.
DPHAM		12/13/02	1 = 16	S-1233		1 of 1