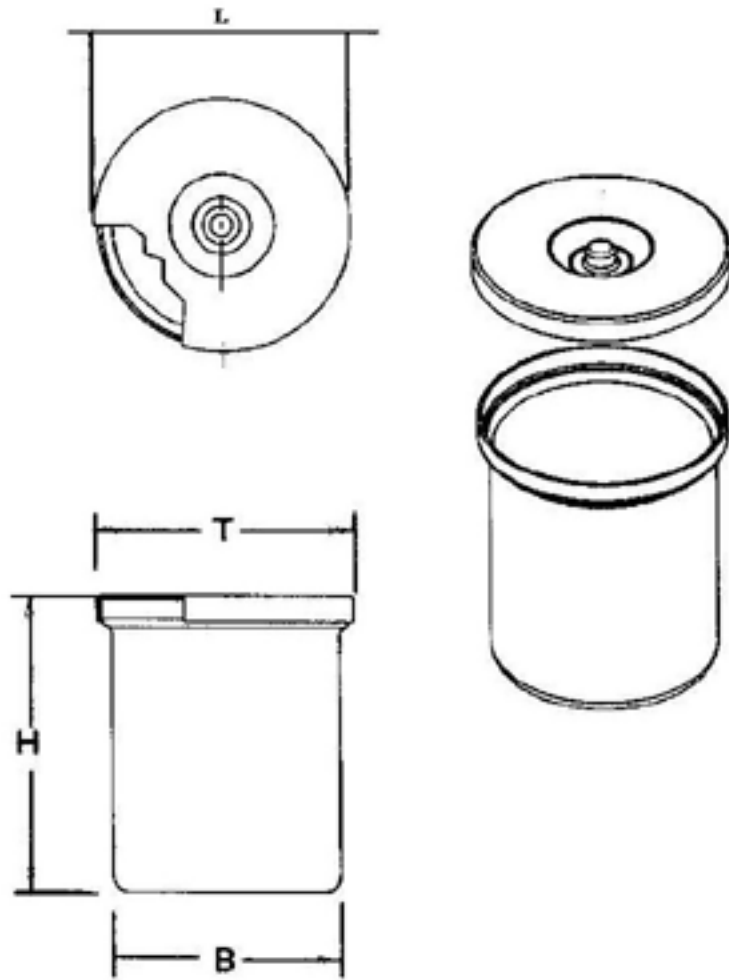


THIS DRAWING MAY NOT BE USED FOR ANY PURPOSE OTHER THAN BY THE OWNER. THE DRAWING & DESIGN ARE PROPERTY OF ROTONICS MANUFACTURING, INC. ALL DIMENSIONS SHOWN ARE OUTSIDE PART DIMENSIONS IN INCHES, AND MAY VARY DUE TO MATERIAL SHRINKAGE. SPECIFICATIONS ARE SUBJECT TO CHANGE WITHOUT NOTICE. GALLONS AND WEIGHTS ARE APPROXIMATE ONLY.



RMI-Idaho
716 North 11th Ave
Caldwell, Idaho 83605
Phone: 208-454-9271
Fax: 208-454-3389
idaho@rotonics.com

RMI-Chicago
736 Birginal Drive
Bensenville, Illinois 60106
Phone: 630-773-9510
Fax: 630-773-4274
chicago@rotonics.com

RMI-Gardena
17038 South Figueroa Street
Gardena, California 90248
Phone: 310-327-5401
Fax: 310-323-6567
gardena@rotonics.com

33786	100 GAL.	42 LBS	Ø 31"	Ø 32"	Ø 33"	34"
33784	50 GAL.	23 LBS	Ø 22"	Ø 23"	Ø 24"	32"
33782	30 GAL.	16.5 LBS	Ø 18"	Ø 19"	Ø 20"	29"
33780	25 GAL.	15 LBS	Ø 18"	Ø 19"	Ø 20"	23"
33778	15 GAL.	10 LBS	Ø 15"	Ø 16"	Ø 17"	20"
33776	10 GAL.	8.5 LBS	Ø 13"	Ø 14"	Ø 15"	18"
33775	7.5 GAL.	7 LBS	Ø 12"	Ø 13"	Ø 14"	17"
33774	6 GAL.	5.5 LBS	Ø 11"	Ø 12"	Ø 13"	16"
33772	4 GAL.	5 LBS	Ø 10"	Ø 11"	Ø 12"	12"
33770	3 GAL.	4 LBS	Ø 9"	Ø 10"	Ø 11"	11"
PART #	CAPACITY	WT.	B	T	L	H

ROTONICS MFG. INC.

POLY CROCKS

DRAWN BY: Opham DATE: 5/27/04 SCALE: NONE DWG No. S-1382 REV. A