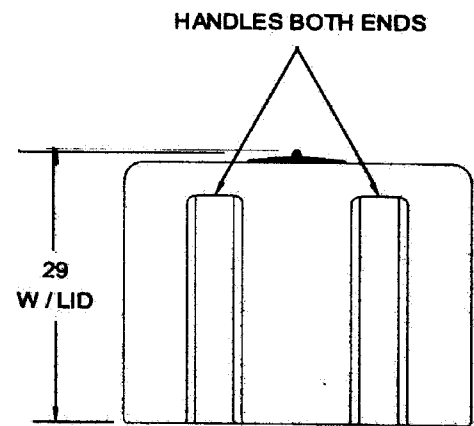
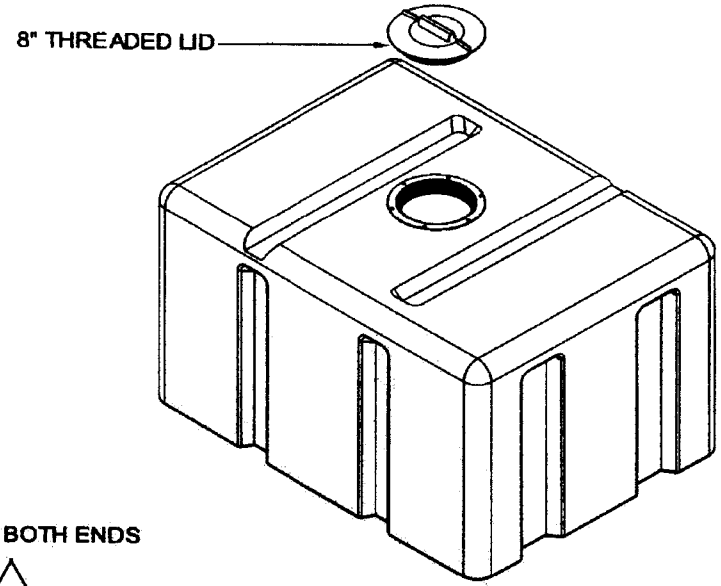
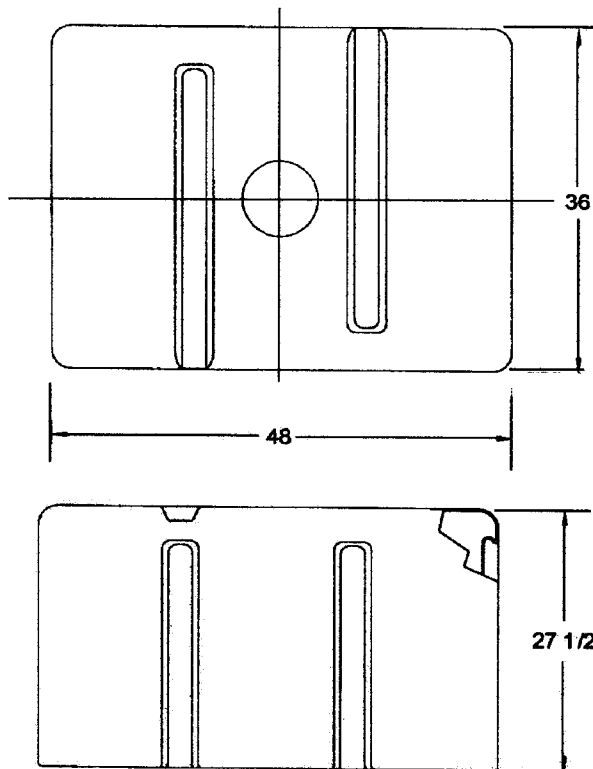


THIS DRAWING MAY NOT BE USED FOR ANY PURPOSE OTHER THAN BY THE OWNER. THE DRAWING & DESIGN ARE PROPERTY OF ROTONICS MANUFACTURING, INC. ALL DIMENSIONS SHOWN ARE OUTSIDE PART DIMENSIONS IN INCHES, AND MAY VARY DUE TO MATERIAL SHRINKAGE. SPECIFICATIONS ARE SUBJECT TO CHANGE WITHOUT NOTICE. GALLONS AND WEIGHTS ARE APPROXIMATE ONLY.



www.rotomics.com

RM-C 736 Birginal Drive Bensenville, IL 60106 Phone: 630-773-9510 Fax: 630-773-4274	RMI-I 716 No. 11th Avenue Caldwell, ID 83605 Phone: 208-454-9271 Fax: 208-454-3089	RMI-D 6770 Brighton Blvd. Commerce City, CO 80022 Phone: 303-227-9300 Fax: 303-227-9308	RMI-F 230 Bartow Mun. Airport Bartow, FL 33830 Phone: 863-534-1766 Fax: 863-533-0407	RMI-G 17038 S. Figueroa St. Gardena, CA 90248 Phone: 310-327-5401 Fax: 310-323-9567
---	--	---	--	---

DO NOT SCALE		ROTONICS MFG. INC.		
APPROVALS	DATE	#6453		
DRAWN BY: DPHAM	RD 9/9/03	200 gal. LOAF TANK		
DESIGN BY:		SIZE A	DWG. No. S-1199	REV.
CHECKED BY:		SCALE: 1 = 20		
APPROVED BY:		SHEET 1 of 1		