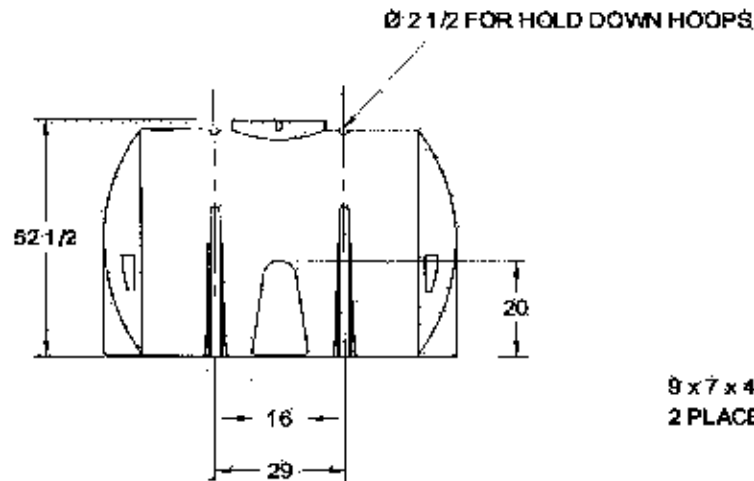
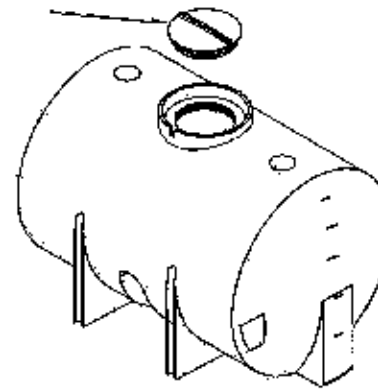
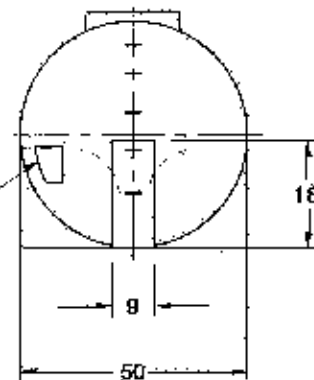


17" MOLDED LID



9 x 7 x 4 FLAT
2 PLACES



THIS DRAWING MAY NOT BE USED FOR ANY PURPOSE OTHER THAN BY THE OWNER. THE DRAWING & DESIGN ARE PROPERTY OF ROTONICS MANUFACTURING, INC. ALL DIMENSIONS SHOWN ARE OUTSIDE PART DIMENSIONS IN INCHES, AND MAY VARY DUE TO MATERIAL SHRINKAGE. SPECIFICATIONS ARE SUBJECT TO CHANGE WITHOUT NOTICE. GALLONS AND WEIGHTS ARE APPROXIMATE ONLY.

RMI-Denver
6770 Brighton Blvd
Commerce City, Co 80022
Phone: 303-227-9300
Fax: 303-227-9308
denver@rotonics.com

DO NOT SCALE		ROTONICS MFG. INC.	
APPROVALS	DATE	Ø 50 - 550 gal HORIZONTAL LEG TANK	
DRAWN BY: DPHAM	RD 2/18/04		
DESIGN BY:		SIZE A	DWG. No. S-1308
CHECKED BY:		SCALE: 1 = 40	REV. SHEET 1 of 1
APPROVED BY:			