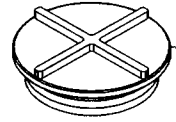
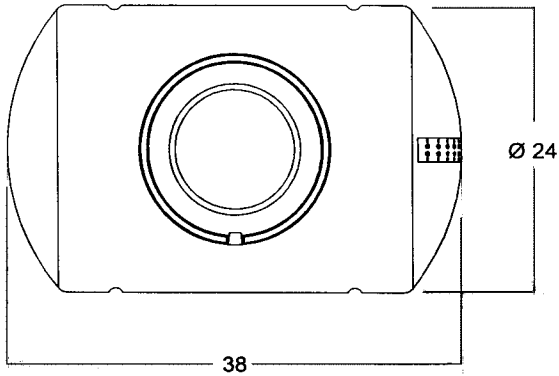


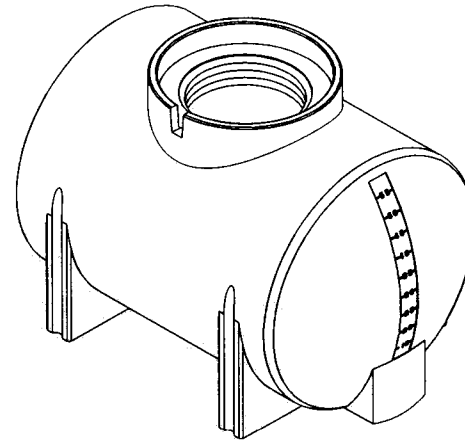
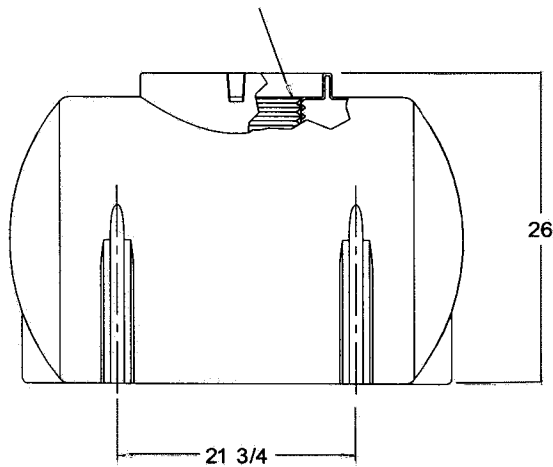
THIS DRAWING MAY NOT BE USED FOR ANY PURPOSE OTHER THAN BY THE OWNER. THE DRAWING & DESIGN ARE PROPERTY OF ROTONICS MANUFACTURING, INC. ALL DIMENSIONS SHOWN ARE OUTSIDE PART DIMENSIONS IN INCHES, AND MAY VARY DUE TO MATERIAL SHRINKAGE. SPECIFICATIONS ARE SUBJECT TO CHANGE WITHOUT NOTICE. GALLONS AND WEIGHTS ARE APPROXIMATE ONLY.



10" MOLDED THREADED LID

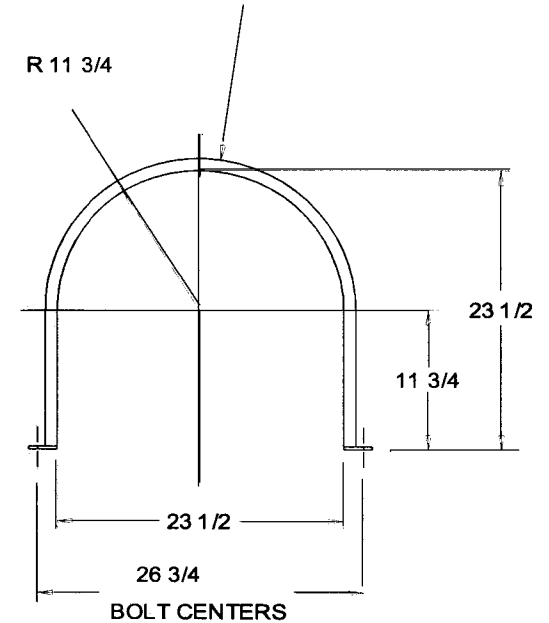


10" MOLDED THREADED OPEN

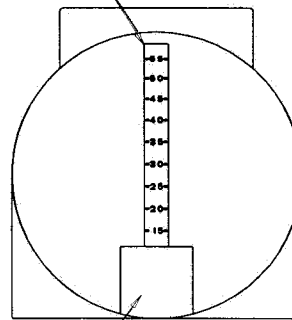


3/4 STEEL PIPE  
(1.05 O.D.)

R 11 3/4



GAL. INDICATOR



6 x 6 FLAT  
2 PLACES

TIE DOWN RING - 2 PER TANK

www.rotonics.com

RMI-C  
736 Birginal Drive  
Bensenville, IL 60106  
Phone: 630-773-9510  
Fax: 630-773-4274

RMI-I  
716 No. 11th Avenue  
Caldwell, ID 83605  
Phone: 208-454-9271  
Fax: 208-454-3089

RMI-D  
6770 Brighton Blvd.  
Commerce City, CO 80022  
Phone: 303-227-9300  
Fax: 303-227-9308

RMI-F  
230 Bartow Mun. Airport  
Bartow, FL 33830  
Phone: 863-534-1766  
Fax: 863-533-0407

RMI-G  
17038 S. Figueroa St.  
Gardena, CA 90248  
Phone: 310-327-5401  
Fax: 310-323-9567

DO NOT SCALE		ROTONICS MFG. INC.	
APPROVALS	DATE	#6439	
DRAWN BY: DPHAM	RD 9/10/03	55 gal. HORIZONTAL LEG TANK	
DESIGN BY:			
CHECKED BY:		SIZE A	DWG. No. S-1128
APPROVED BY:		SCALE: 1 = 16	REV. SHEET 1 of 1