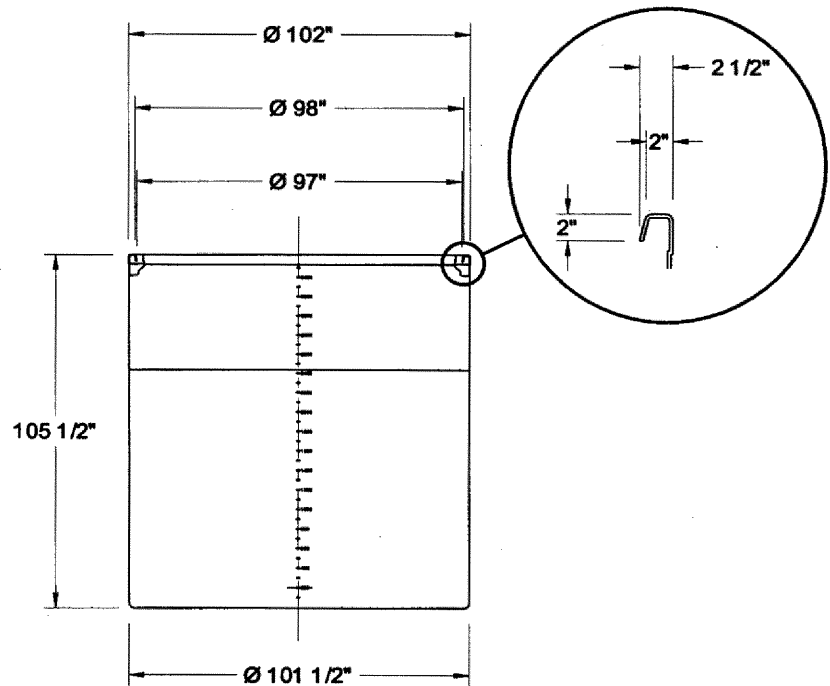
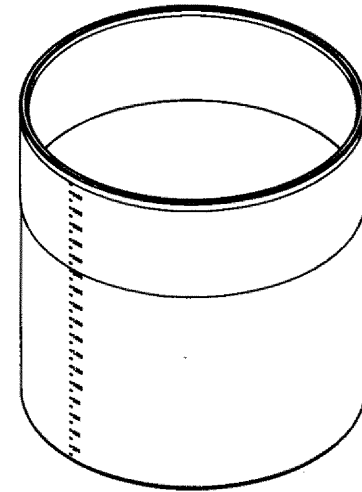
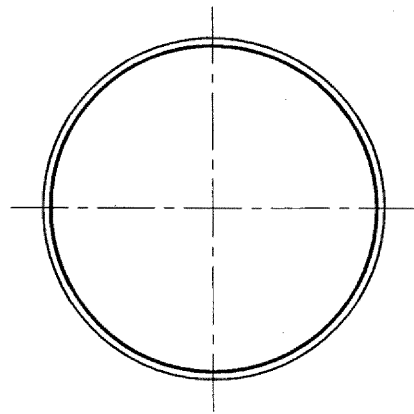


THIS DRAWING MAY NOT BE USED FOR ANY PURPOSE OTHER THAN BY THE OWNER. THE DRAWING & DESIGN ARE PROPERTY OF ROTONICS MANUFACTURING, INC. ALL DIMENSIONS SHOWN ARE OUTSIDE PART DIMENSIONS IN INCHES, AND MAY VARY DUE TO MATERIAL SHRINKAGE. SPECIFICATIONS ARE SUBJECT TO CHANGE WITHOUT NOTICE. GALLONS AND WEIGHTS ARE APPROXIMATE ONLY.



Part# 6575

DO NOT SCALE		ROTONICS MFG. INC. <small>17038 S. FIGUEROA ST. GARDENA, CA. 90248 Phone: (310) 327-5401 Fax: (310) 323-9567</small>	
APPROVALS	DATE	$\text{Ø } 102'' \times 105 \frac{1}{2}''$ - 3650 gal. OVER FLOW BASIN	
DRAWN BY: DPHAM	4/25/07		
DESIGN BY: DPHAM		SIZE A	DWG. No. S-1568
CHECKED BY: MARIO P.		REV.	
APPROVED BY: MARIO P.		SCALE: 1 = 60	SHEET 1 of 1