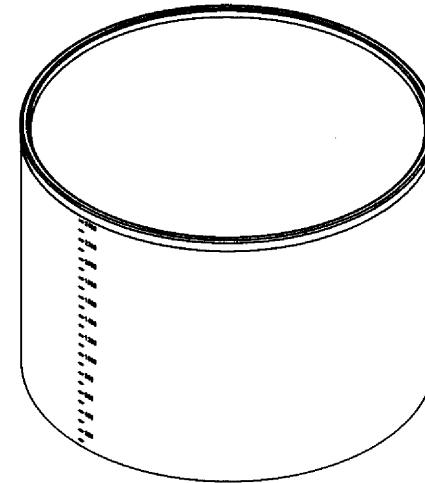
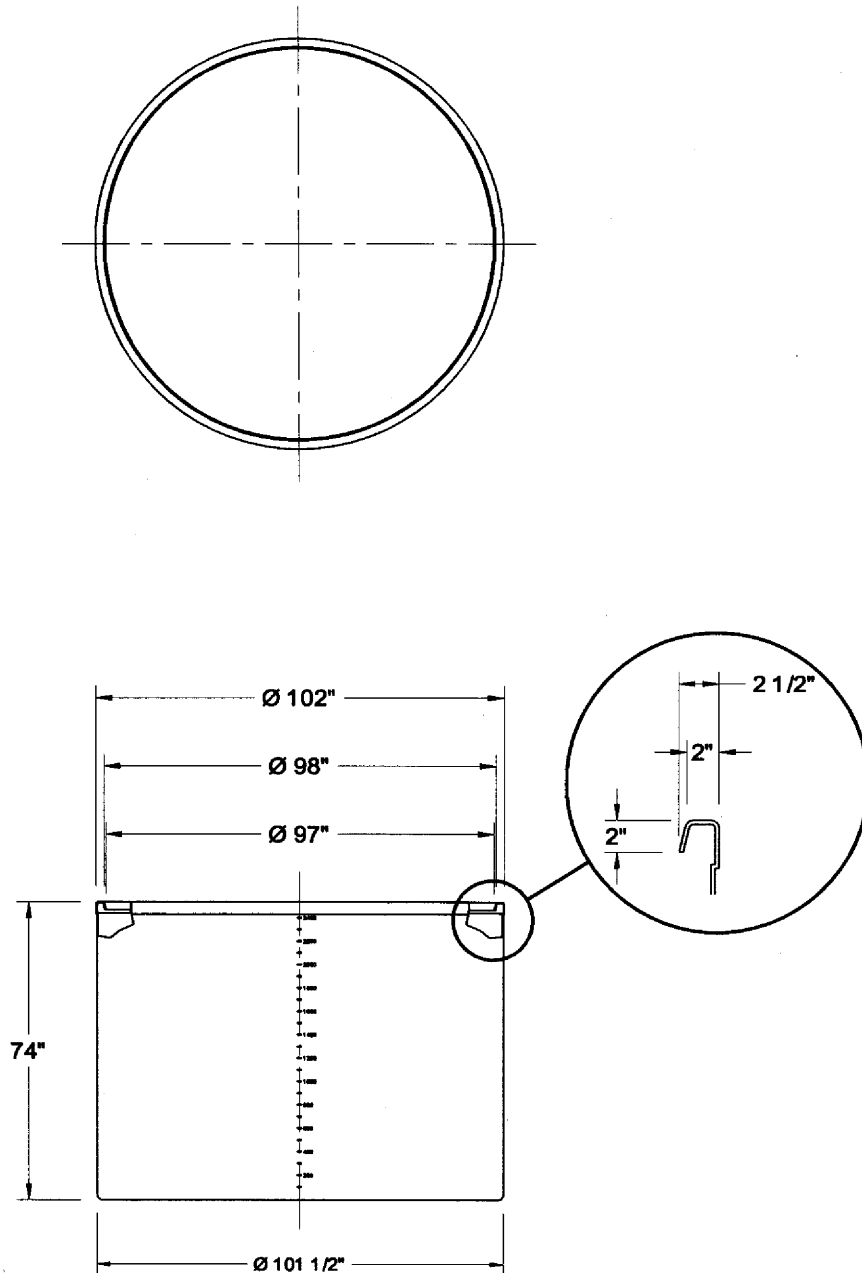


THIS DRAWING MAY NOT BE USED FOR ANY PURPOSE OTHER THAN BY THE OWNER. THE DRAWING & DESIGN ARE PROPERTY OF ROTONICS MANUFACTURING, INC. ALL DIMENSIONS SHOWN ARE OUTSIDE PART DIMENSIONS IN INCHES, AND MAY VARY DUE TO MATERIAL SHRINKAGE. SPECIFICATIONS ARE SUBJECT TO CHANGE WITHOUT NOTICE. GALLONS AND WEIGHTS ARE APPROXIMATE ONLY.



Part# 6571

DO NOT SCALE		ROTONICS MFG. INC.		17038 S. FIGUEROA ST. GARDENA, CA. 90248 Phone: (310) 327-5401 Fax: (310) 323-9557	
APPROVALS	DATE	Ø 102 x 74 - 2560 gal. OVER FLOW BASIN			
DRAWN BY: DPHAM	4/25/07				
DESIGN BY: DPHAM		SIZE	A	DWG. No.	S-1567
CHECKED BY: MARIO P.		REV.			
APPROVED BY: MARIO P.		SCALE : 1 = 50		SHEET 1 of 1	