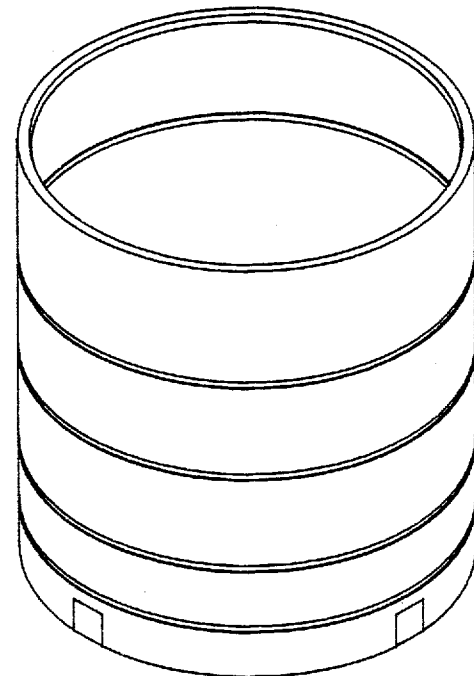
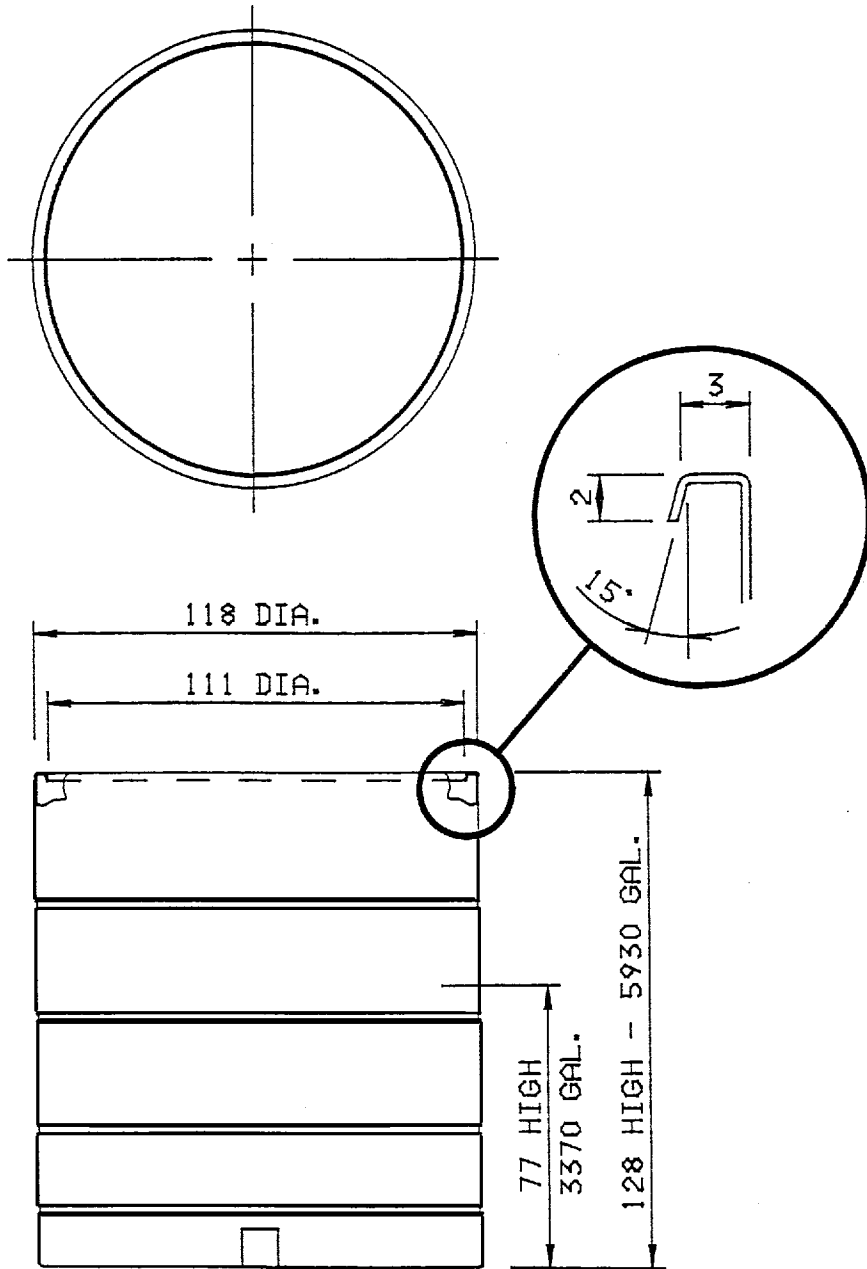


THIS DRAWING MAY NOT BE USED FOR ANY PURPOSE OTHER THAN BY THE OWNER. THE DRAWING & DESIGN ARE PROPERTY OF ROTONICS MANUFACTURING, INC. ALL DIMENSIONS SHOWN ARE OUTSIDE PART DIMENSIONS IN INCHES, AND MAY VARY DUE TO MATERIAL SHRINKAGE. SPECIFICATIONS ARE SUBJECT TO CHANGE WITHOUT NOTICE. GALLONS AND WEIGHTS ARE APPROXIMATE ONLY.



3370 gal. - #6574
5930 gal. - #6576

RMI-D
6770 Brighton Blvd.
Commerce City, CO 80022
Phone: 303-227-9300
Fax: 303-227-9308

RMI-G
17038 S. Figueroa St.
Gardena, CA 90248
Phone: 310-327-5401
Fax: 310-323-9567

ROTONICS MFG. INC.		6770 Brighton Boulevard Commerce City, CO 80022 Phone: (303) 227-9300 Fax: (303) 227-9308	
118" DIA. - CONTAINMENT BASIN 3370 & 5930 GAL.			
DRAWN BY: Dpham	DESIGN BY:	DATE: 05-26-95	SCALE: NONE
			DWG. NO. S-1204