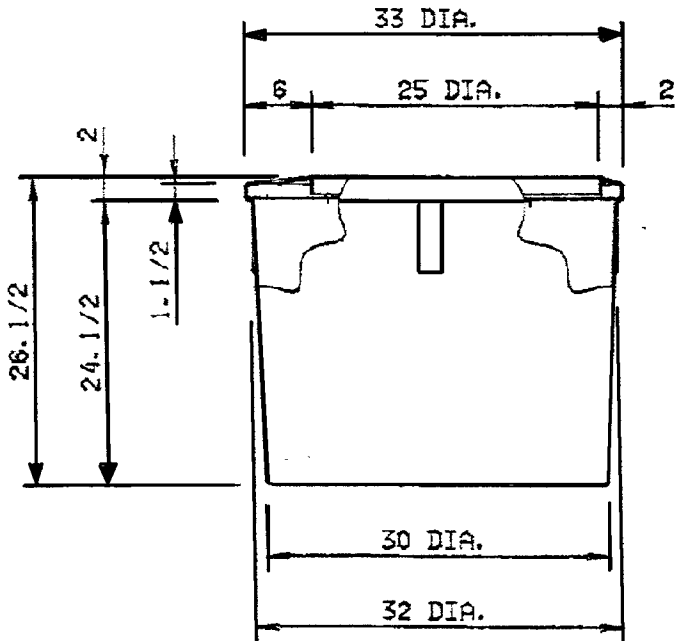
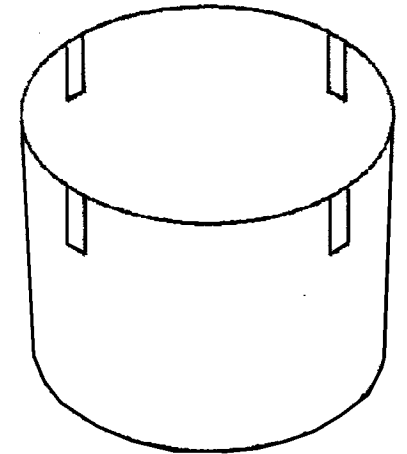
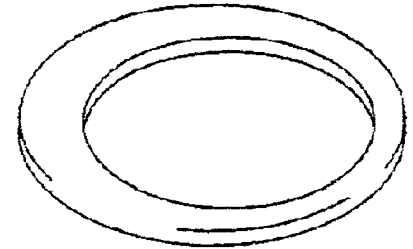
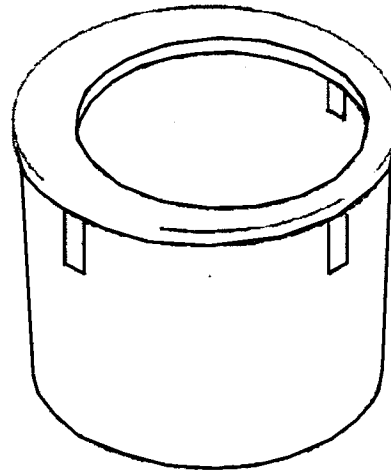
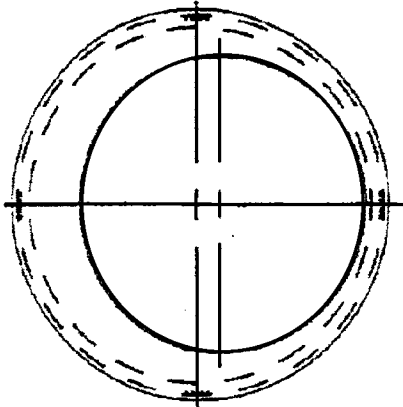


THIS DRAWING MAY NOT BE USED FOR ANY PURPOSE OTHER THAN BY THE OWNER. THE DRAWING & DESIGN ARE PROPERTY OF ROTONICS MANUFACTURING, INC. ALL DIMENSIONS SHOWN ARE OUTSIDE PART DIMENSIONS IN INCHES, AND MAY VARY DUE TO MATERIAL SHRINKAGE. SPECIFICATIONS ARE SUBJECT TO CHANGE WITHOUT NOTICE. GALLONS AND WEIGHTS ARE APPROXIMATE ONLY.



RMI-D  
6770 Brighton Blvd.  
Commerce City, CO 80022  
Phone: 303-227-9300  
Fax: 303-227-9308

RMI-F  
230 Bartow Mun. Airport  
Bartow, FL 33830  
Phone: 863-534-1766  
Fax: 863-533-0407

RMI-G  
17038 S. Figueroa St.  
Gardena, CA 90248  
Phone: 310-327-5401  
Fax: 310-323-9567

## ROTONICS MFG. INC.

#6548

### 80 GAL. OVERFLOW BASINS

DRAWN BY:  
Doham

DESIGN BY:

DATE:  
05-31-95

SCALE:  
1 = 18

DWG. NO.  
S-1119