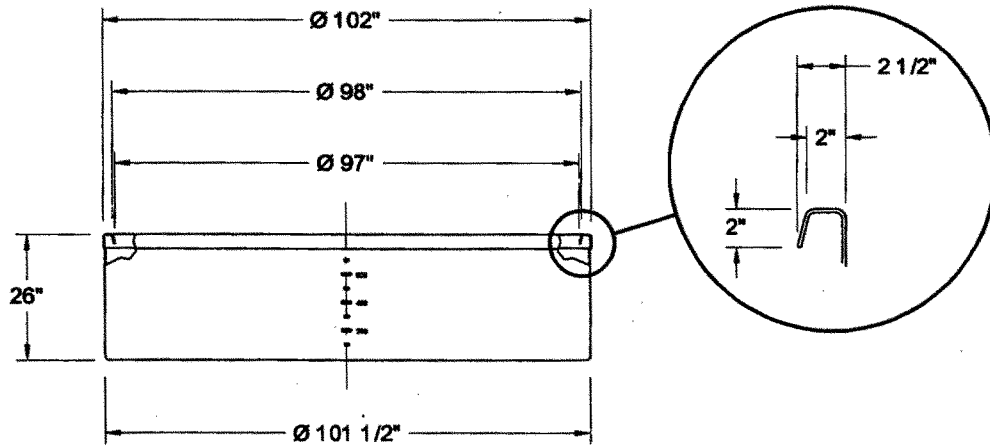
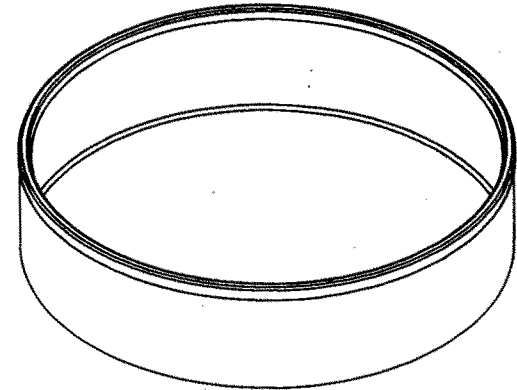
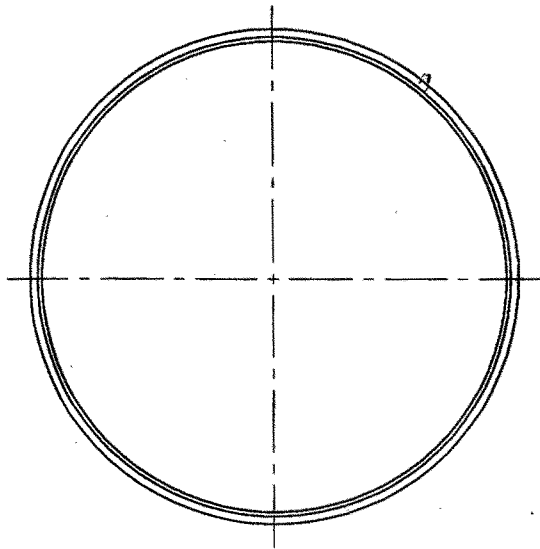


THIS DRAWING MAY NOT BE USED FOR ANY PURPOSE OTHER THAN BY THE OWNER. THE DRAWING & DESIGN ARE PROPERTY OF ROTONICS MANUFACTURING, INC. ALL DIMENSIONS SHOWN ARE OUTSIDE PART DIMENSIONS IN INCHES, AND MAY VARY DUE TO MATERIAL SHRINKAGE. SPECIFICATIONS ARE SUBJECT TO CHANGE WITHOUT NOTICE. GALLONS AND WEIGHTS ARE APPROXIMATE ONLY.



DO NOT SCALE		ROTONICS MFG. INC. 17036 S. FIGUEROA ST. GARDENA, CA. 90248 Phone: (310) 327-5401 Fax: (310) 323-9567	
APPROVALS	DATE	6572	Ø 102 x 26 - 900 GAL OVERFLOW BASIN
DRAWN BY: DPHAM	4/24/07		
DESIGN BY: DPHAM			
CHECKED BY: MARIO P.		SIZE A	DWG. No. S-1565 REV.
APPROVED BY: MARIO P.		SCALE: 1 = 40	SHEET 1 of 1