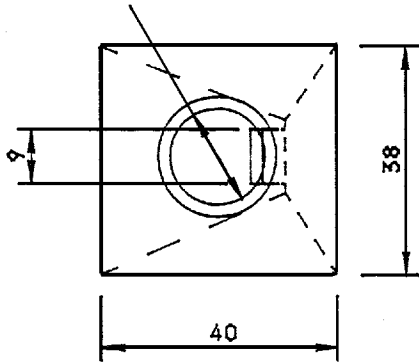
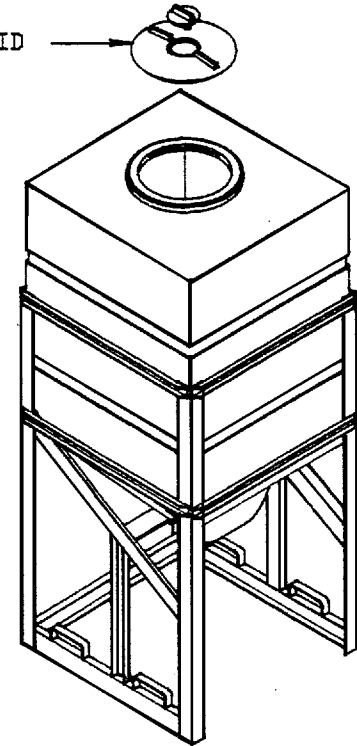


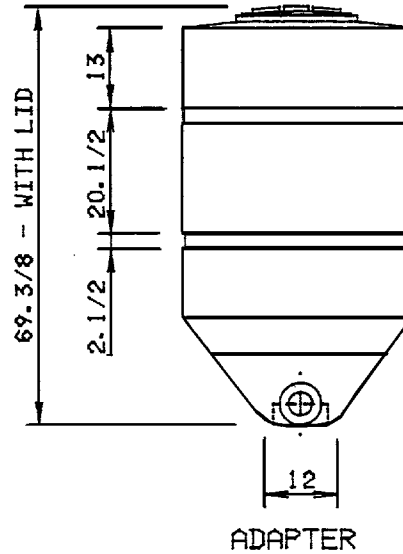
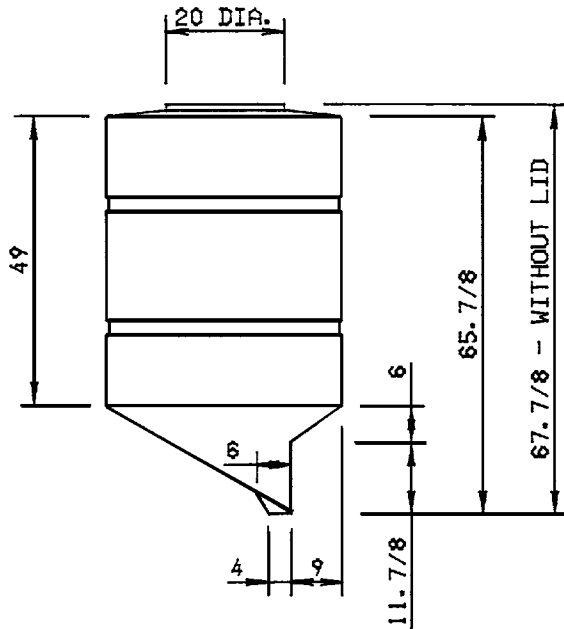
16" DIA. - OPENING



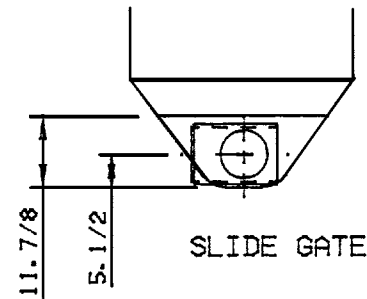
15" THREADED LID



TANK & STAND



ADAPTER



SLIDE GATE

THIS DRAWING MAY NOT BE USED FOR ANY PURPOSE OTHER THAN BY THE OWNER. THE DRAWING & DESIGN ARE PROPERTY OF ROTONICS MANUFACTURING, INC. ALL DIMENSIONS SHOWN ARE OUTSIDE PART DIMENSIONS IN INCHES, AND MAY VARY DUE TO MATERIAL SHRINKAGE. SPECIFICATIONS ARE SUBJECT TO CHANGE WITHOUT NOTICE. GALLONS AND WEIGHTS ARE APPROXIMATE ONLY.

ROTONICS MFG. INC. 17038 SOUTH FIGUEROA ST.
GARDENA, CA. 90248
(310) 327- 5401

#6518 350 GAL. RECTANGULAR
VERTICAL TANK

DRAWN BY: Dpham	DESIGN BY:	DATE: 03-18-96	SCALE : 1 = 32	DWG. NO. S-1278-1
--------------------	------------	-------------------	-------------------	----------------------