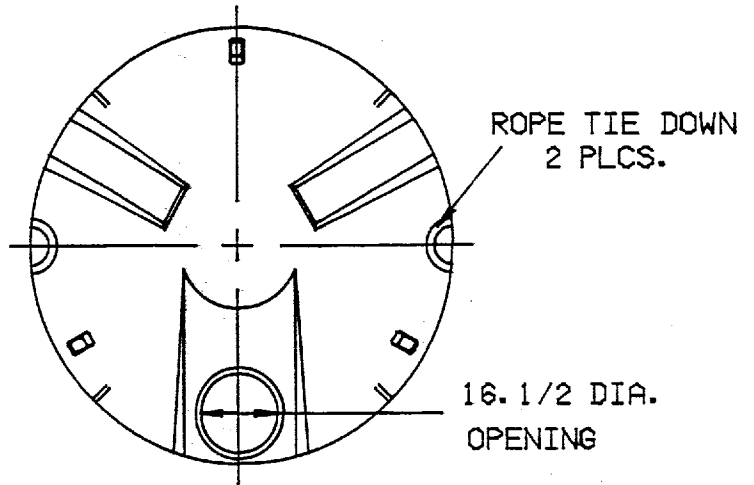
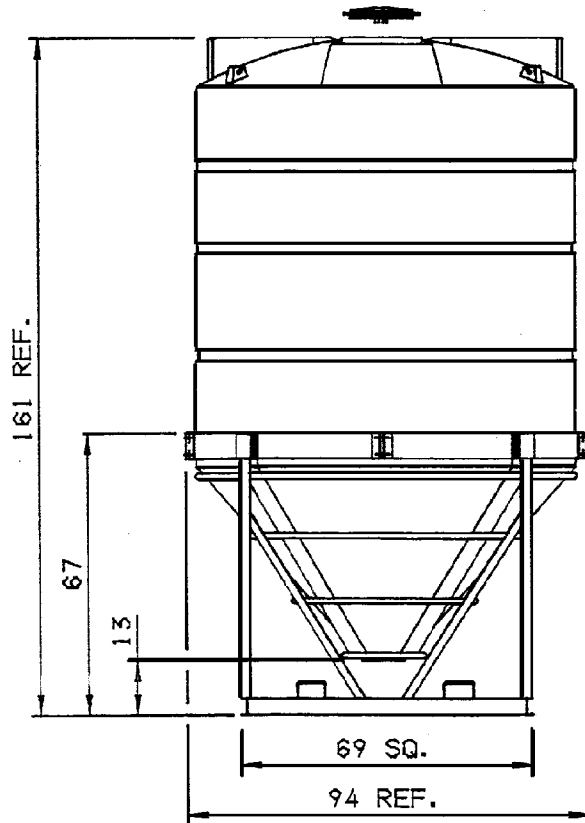
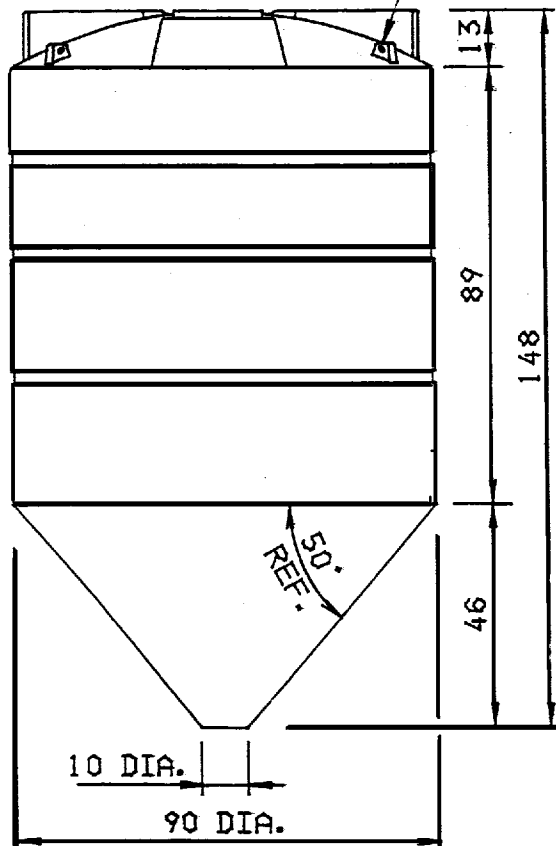


THIS DRAWING MAY NOT BE USED FOR ANY PURPOSE OTHER THAN BY THE OWNER. THE DRAWING & DESIGN ARE PROPERTY OF ROTONICS MANUFACTURING, INC. ALL DIMENSIONS SHOWN ARE OUTSIDE PART DIMENSIONS IN INCHES, AND MAY VARY DUE TO MATERIAL SHRINKAGE. SPECIFICATIONS ARE SUBJECT TO CHANGE WITHOUT NOTICE. GALLONS AND WEIGHTS ARE APPROXIMATE ONLY.



15" THREADED LID LIFTING LUG - 3 PLCS.



TANK WITH STAND & BASKET

RMI-I 716 No. 11th Avenue Caldwell, ID 83605 Phone: 208-454-9271 Fax: 208-454-3089	RMI-D 6770 Brighton Blvd. Commerce City, CO 80022 Phone: 303-227-9300 Fax: 303-227-9308	RMI-G 17038 S. Figueroa St. Gardena, CA 90248 Phone: 310-327-5401 Fax: 310-323-9567
--	---	---

ROTONICS MFG. INC.			
#6515	90" DIA. - 3000 GAL. CONE BOTTOM TANK		
DRAWN BY: Dpham	DESIGN BY:	DATE: 12-13-94	SCALE : 1 = 32
			DWG. NO. S-1124