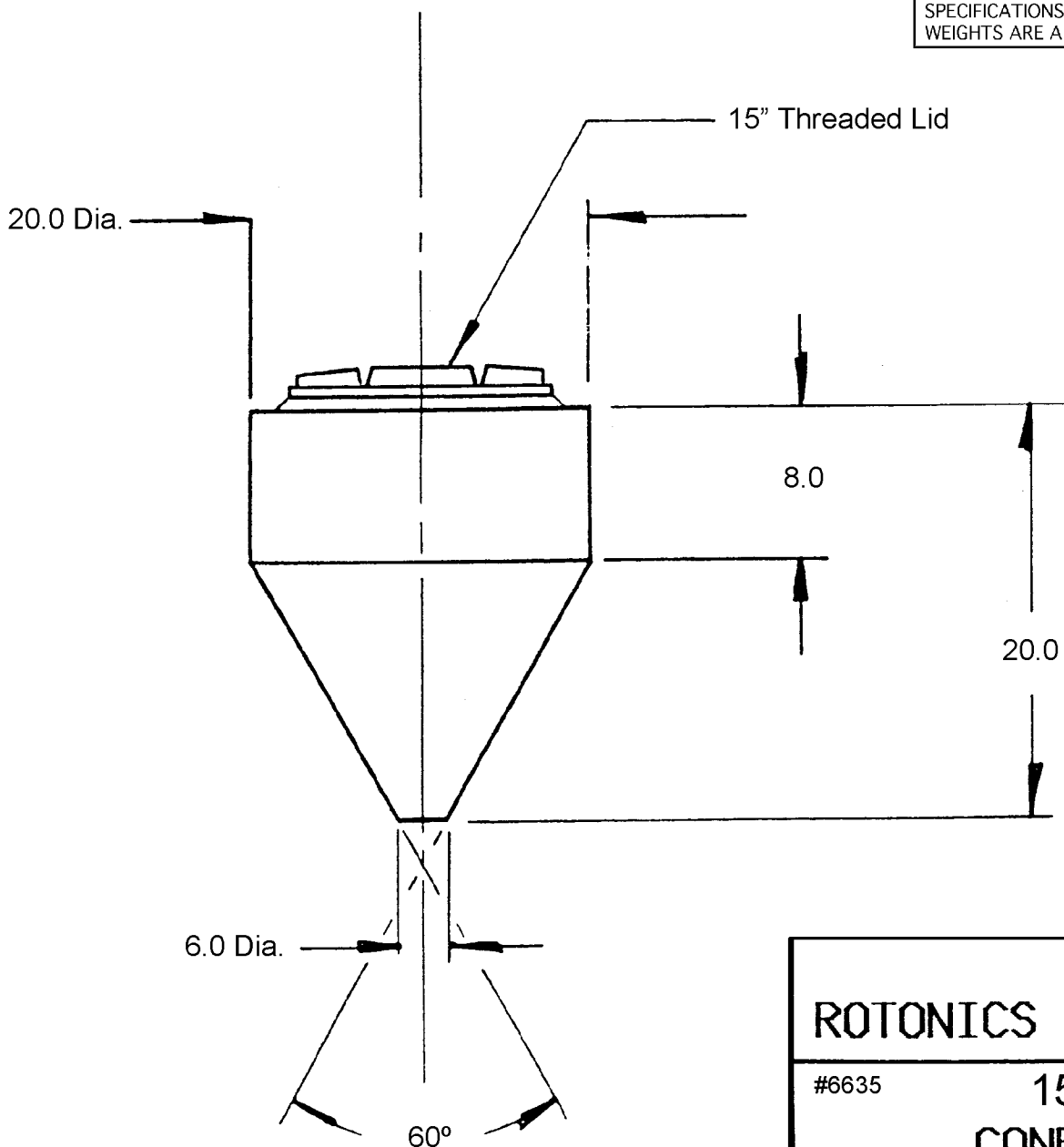


THIS DRAWING MAY NOT BE USED FOR ANY PURPOSE OTHER THAN BY THE OWNER. THE DRAWING & DESIGN ARE PROPERTY OF ROTONICS MANUFACTURING, INC. ALL DIMENSIONS SHOWN ARE OUTSIDE PART DIMENSIONS IN INCHES, AND MAY VARY DUE TO MATERIAL SHRINKAGE. SPECIFICATIONS ARE SUBJECT TO CHANGE WITHOUT NOTICE. GALLONS AND WEIGHTS ARE APPROXIMATE ONLY.



<b>ROTONICS MFG. INC.</b>		RMI-1 716 No. 11th Avenue Caldwell, ID 83605 Phone: 208-454-9271 Fax: 208-454-3089		
#6635		15 GALLON CONE BOTTOM TANK		
DRAWN BY: J. Hixson	DESIGN BY:	DATE: 6/3/03	SCALE :	DWG. NO. 6635