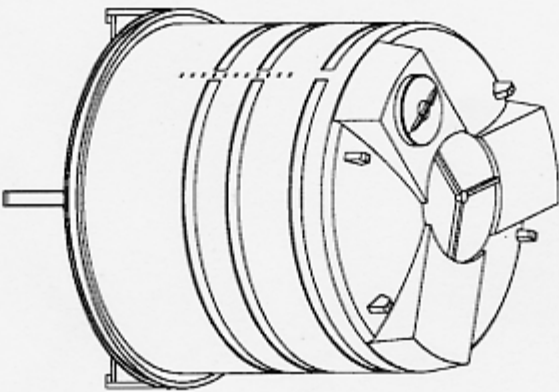
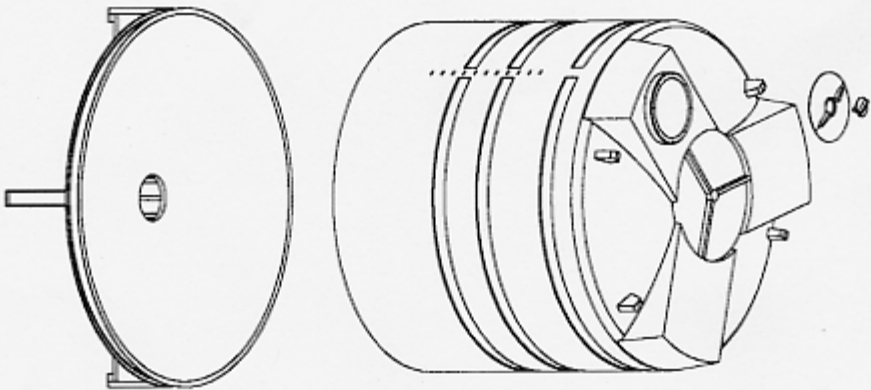


THIS DRAWING MAY NOT BE USED FOR ANY PURPOSE OTHER THAN BY THE OWNER. THE DRAWING & DESIGN ARE PROPERTY OF ROTONICS MANUFACTURING, INC. ALL DIMENSIONS SHOWN ARE OUTSIDE PART DIMENSIONS IN INCHES, AND MAY VARY DUE TO MATERIAL SHRINKAGE. SPECIFICATIONS ARE SUBJECT TO CHANGE WITHOUT NOTICE. GALLONS AND WEIGHTS ARE APPROXIMATE ONLY.



R.M.I.  
716 No. 11th Avenue  
Caldwell, Id 83605  
Phone: 208-454-9271  
Fax: 208-454-3089

|                          |        |   |              |
|--------------------------|--------|---|--------------|
| DO NOT SCALE             |        | ROTONICS MFG. INC.  |              |
| APPROVALS                | DATE   | 2800 gal. - Ø 90  |              |
| DRAWN BY:<br>DPH/JAM     | 200608 | CONE BOTTOM TK. & STAND   |              |
| DESIGN BY:<br>DPH/JAM    |        | 1700 S. FLORENDA ST.<br>GARDENA, CA 90248<br>Phone (310) 327-4401<br>Fax (310) 323-9807 |              |
| CHECKED BY:<br>MARIO P.  |        | SIZE  | DWG. NO.     |
| APPROVED BY:<br>MARIO P. |        | A   | S-1537       |
|                          |        | SCALE: 1 = 50   | REV.         |
|                          |        |   | SHEET 1 of 1 |