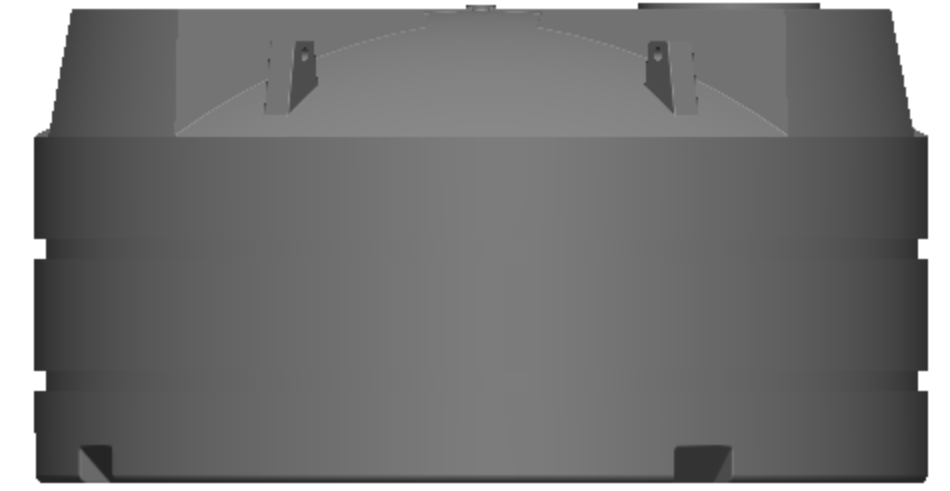
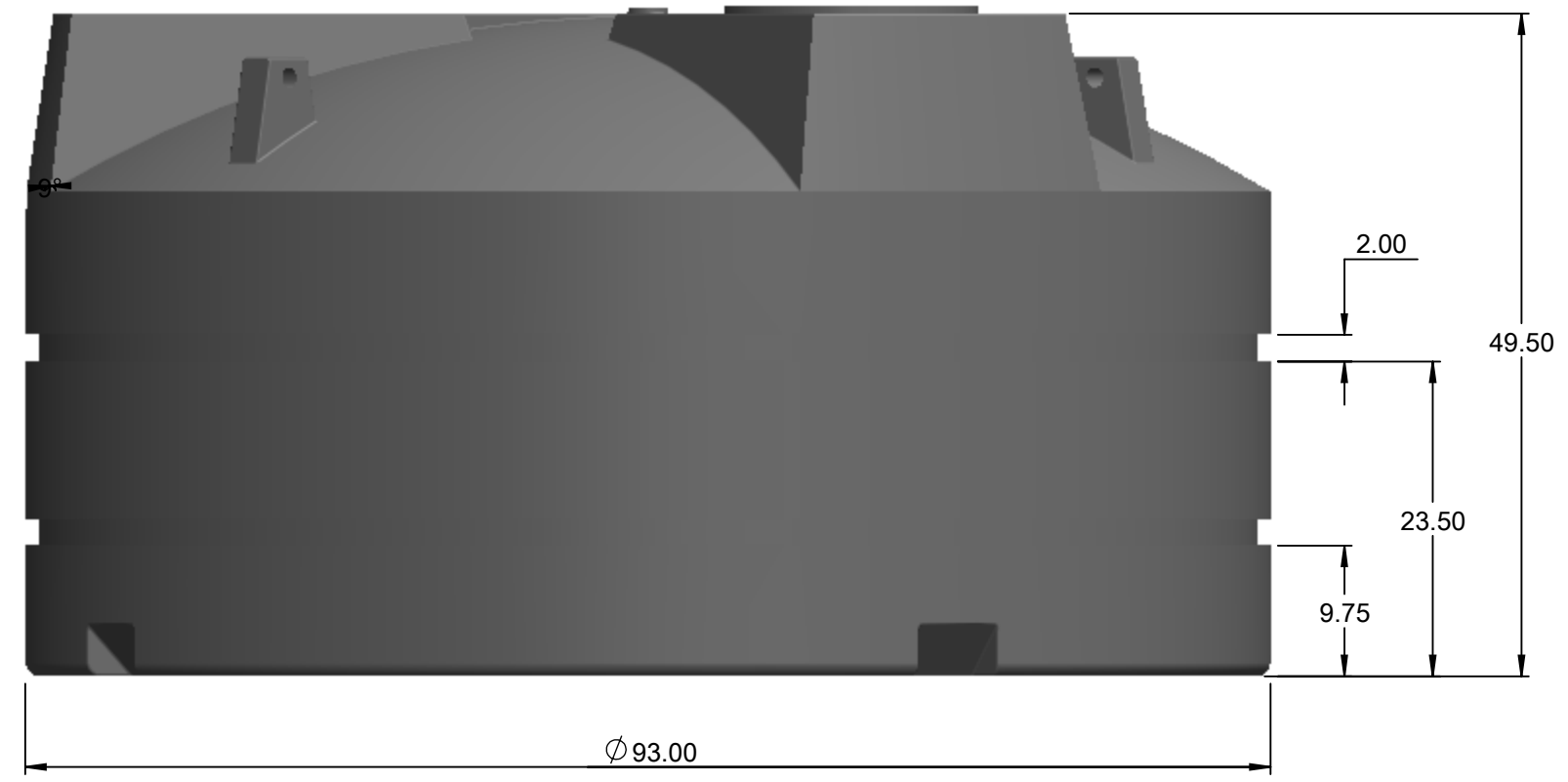
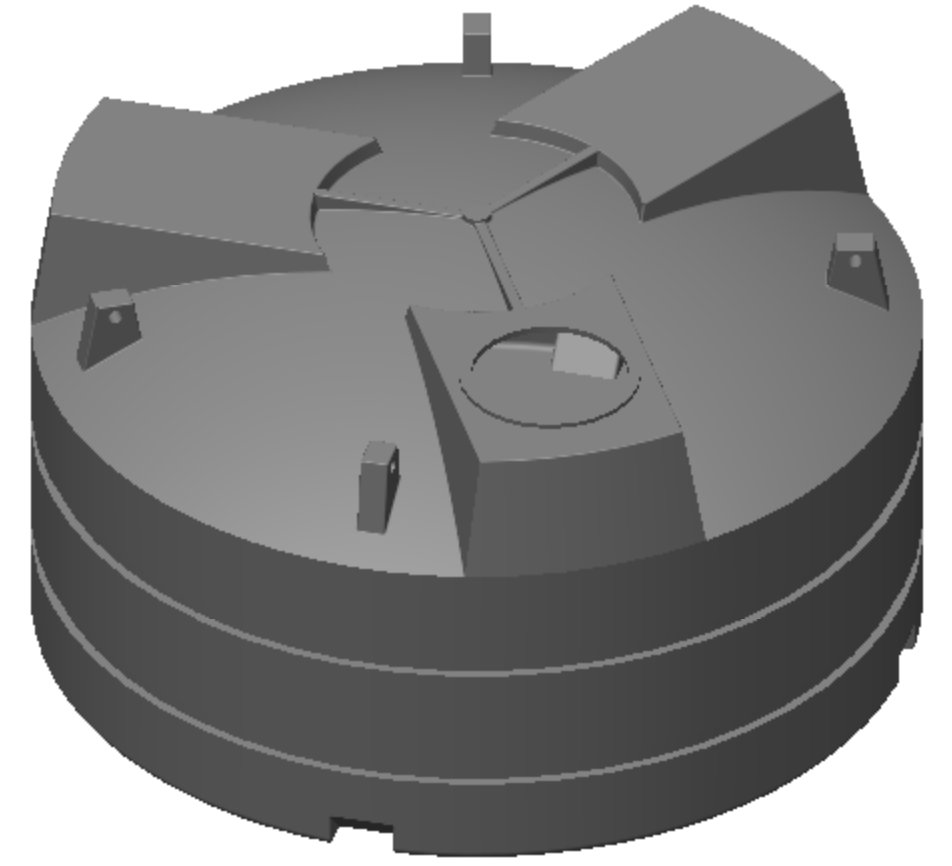
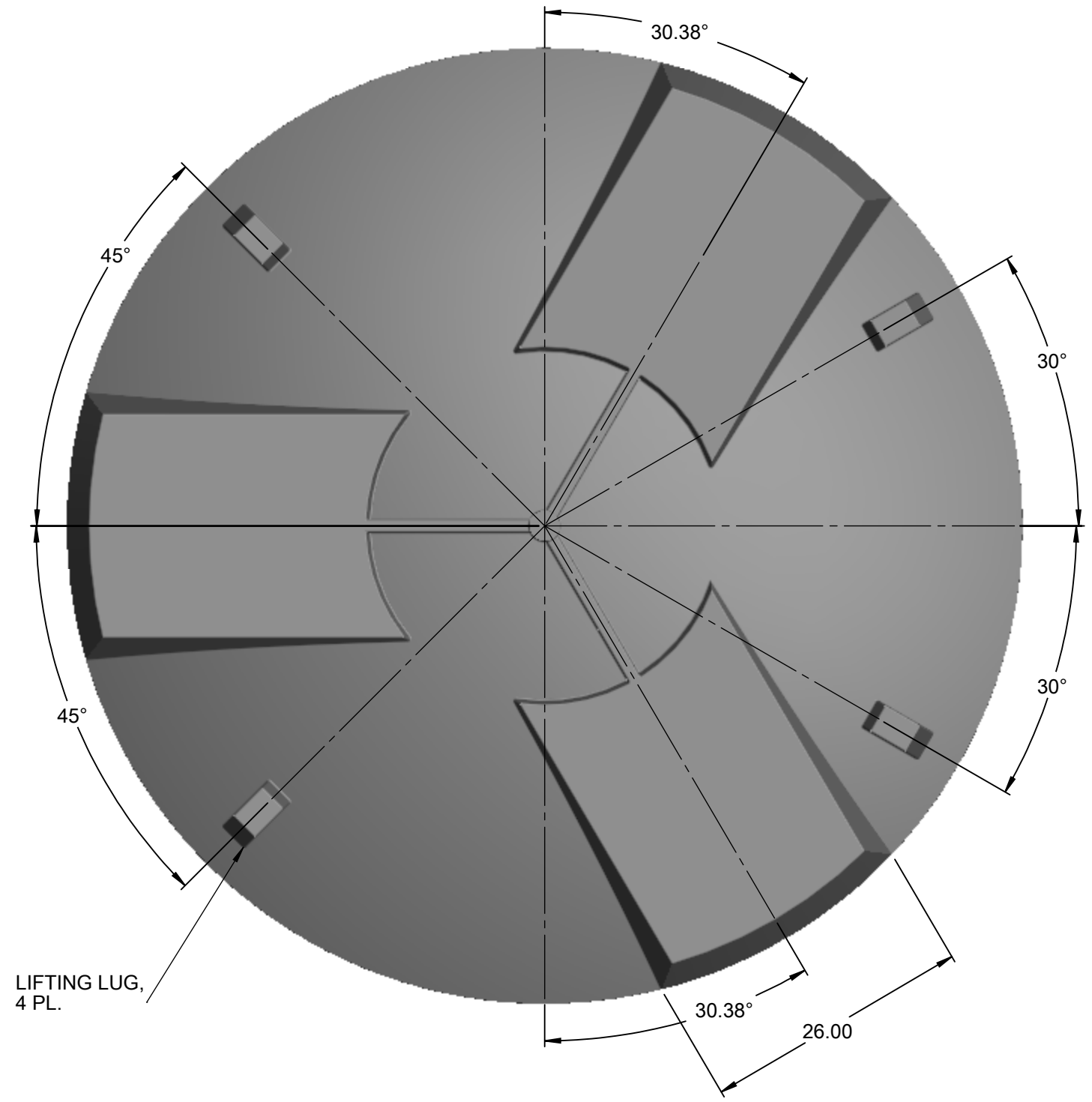


THIS DRAWING MY NOT BE USED FOR ANY PURPOSE OTHER THAN BY THE OWNER. THE DRAWING & DESIGN ARE PROPERTY OF ROTONICS MANUFACTURING, INC. ALL DIMENSIONS SHOWN ARE OUSIDE PART DIMENSIONS IN INCHES, AND MAY VARY DUE TO MATERIAL SHRINKAGE. SPECIFICATIONS ARE SUBJECT TO CHANGE WITHOUT NOTICE. GALLONS AND WEIGHTS ARE APPROXIMATE ONLY.



<b>ROTONICS MFG, INC.</b> www.rotomics.com		RMI-C 736 Birginal Drive Bensenville, IL 60106 Phone: 630-773-9510 Fax: 630-773-4274	
TITLE: <b>6354    Ø 93" - 1250 GAL VERTICAL TANK</b>			
DRAWN BY: S CAMPBELL	DATE: 08/11/09	DWG. NO. 6354	REV: A
SCALE: 1:14		SHEET 1 OF 1	