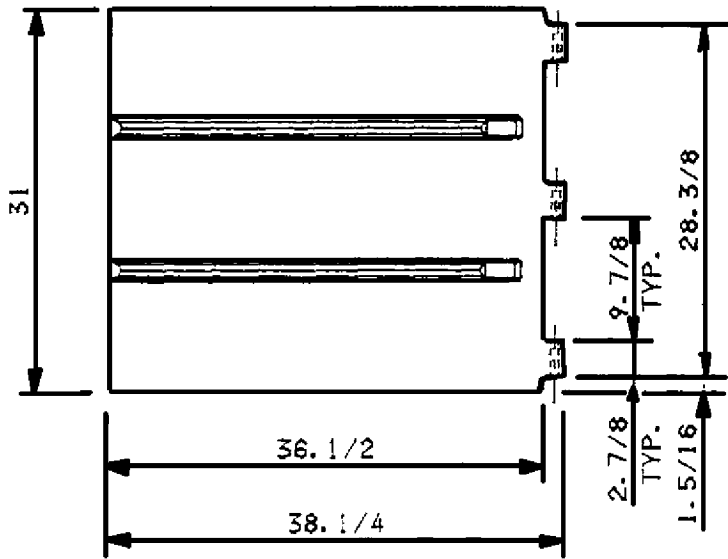
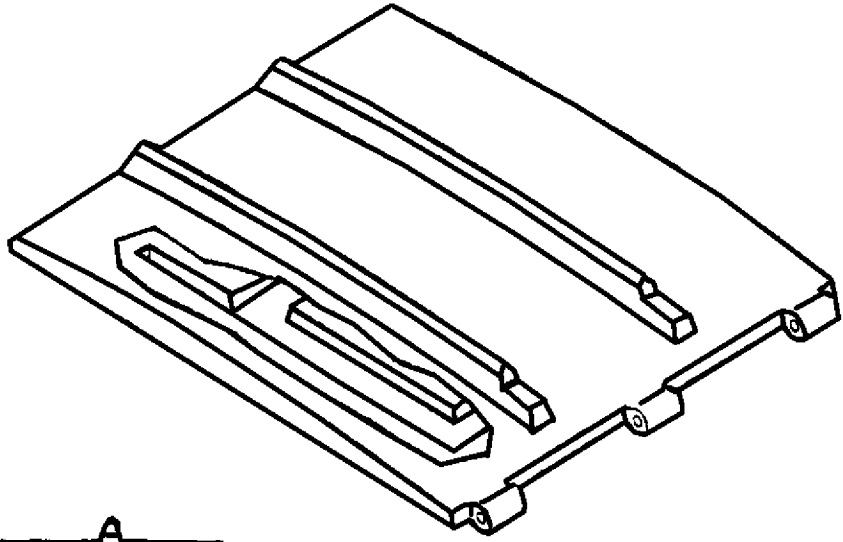
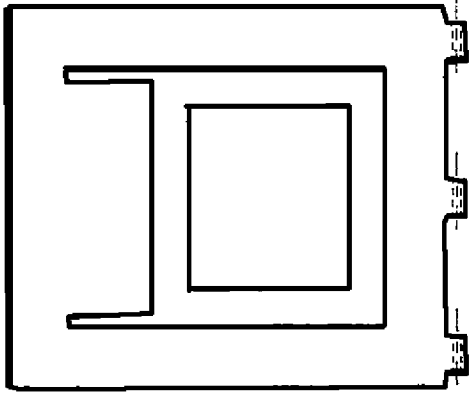
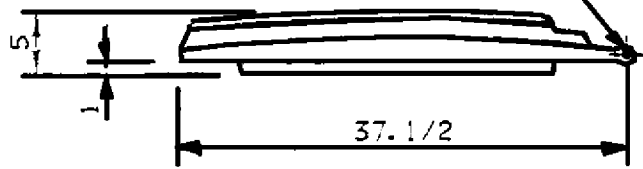


THIS DRAWING MAY NOT BE USED FOR ANY PURPOSE OTHER THAN BY THE OWNER. THE DRAWING & DESIGN ARE PROPERTY OF ROTONICS MANUFACTURING, INC. ALL DIMENSIONS SHOWN ARE OUTSIDE PART DIMENSIONS IN INCHES, AND MAY VARY DUE TO MATERIAL SHRINKAGE. SPECIFICATIONS ARE SUBJECT TO CHANGE WITHOUT NOTICE. GALLONS AND WEIGHTS ARE APPROXIMATE ONLY.



11/16 DIA. - 3 HOLES



ROTONICS MFG. INC.

17038 SOUTH FIGUEROA ST.
GARDENA, CA. 90248
(310) 327- 5401

PEAKED BIN LID - 3137

DRAWN BY: Dpham	DESIGN BY:	DATE: 10-20-95	SCALE: 1 = 16	DWG. NO. S-1245
--------------------	------------	-------------------	------------------	--------------------