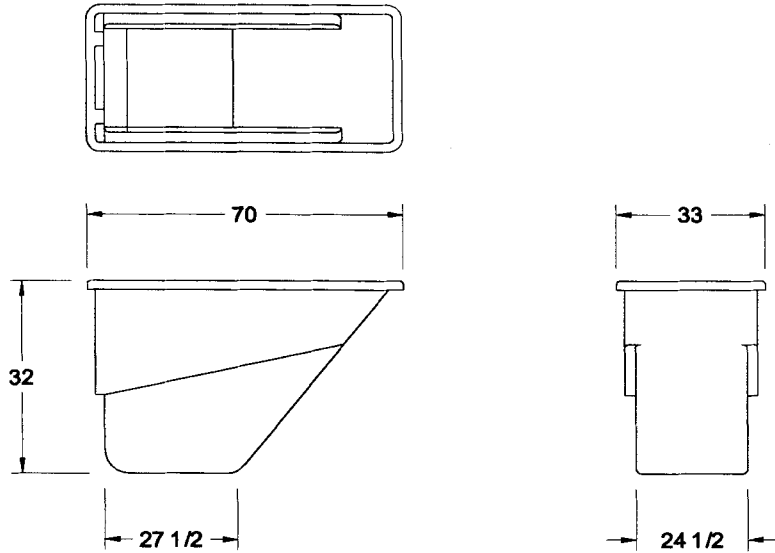
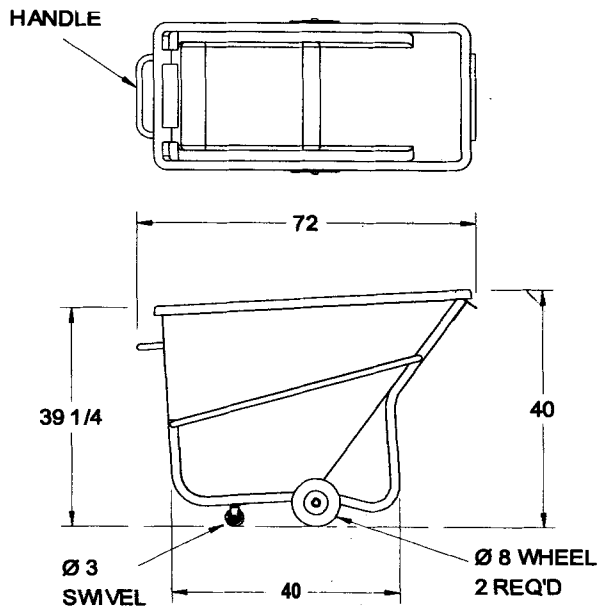
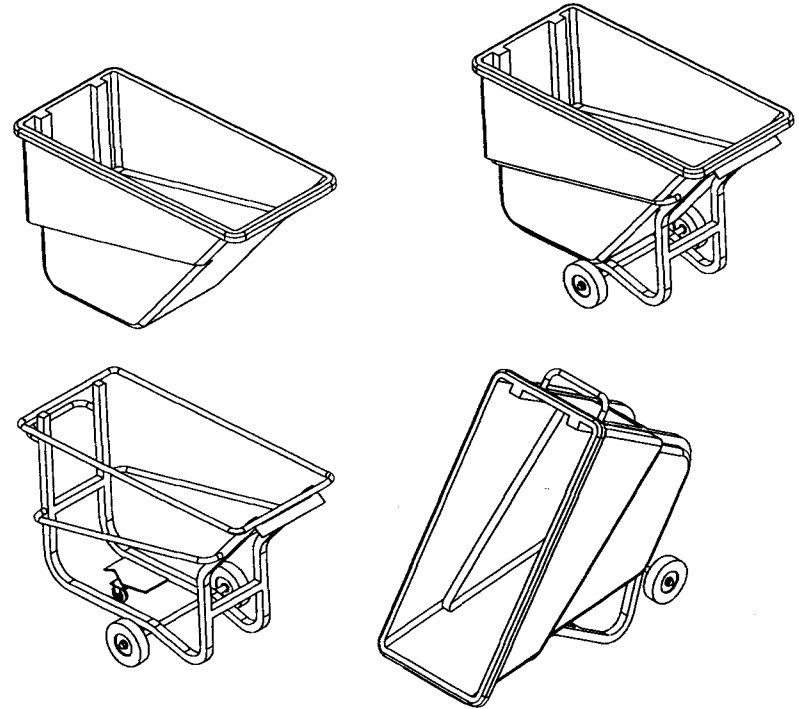


This drawing may not be used for any purpose other than by the owner. The drawing and design are property of Rotonics Manufacturing, Inc. All dimensions shown are outside part dimensions in inches, and may vary due to material shrinkage. Specifications are subject to change without notice. Gallons and weights are approximate only.



WITHOUT FRAME & WHEELS



WITH FRAME & WHEELS

RMI-Nevada
 4700 Mitchell Street
 North Las Vegas, NV 89081
 Phone: 702-643-2644 • Fax: 702-643-2641

DO NOT SCALE		ROTONICS MFG. INC.		17038 S. FIGUEROA ST. GARDENA, CA. 90248 Phone: (310) 327-5401 Fax: (310) 323-9567
APPROVALS	DATE	ROTO TILT TRUCK BK-17 1 Cu. Yd.		
DRAWN BY: DPHAM	8/24/05			
DESIGN BY:		SIZE	DWG. No.	REV.
CHECKED BY:		A		
APPROVED BY:		SCALE: NONE	SHEET 1 of 1	