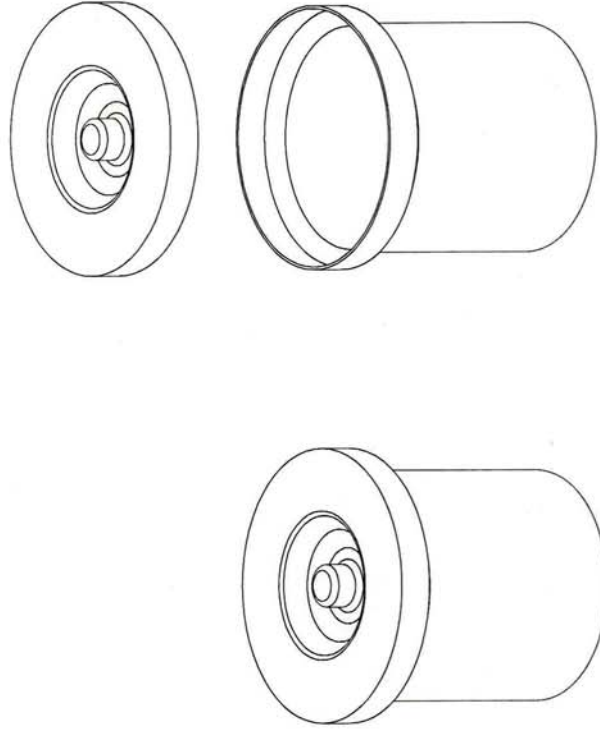
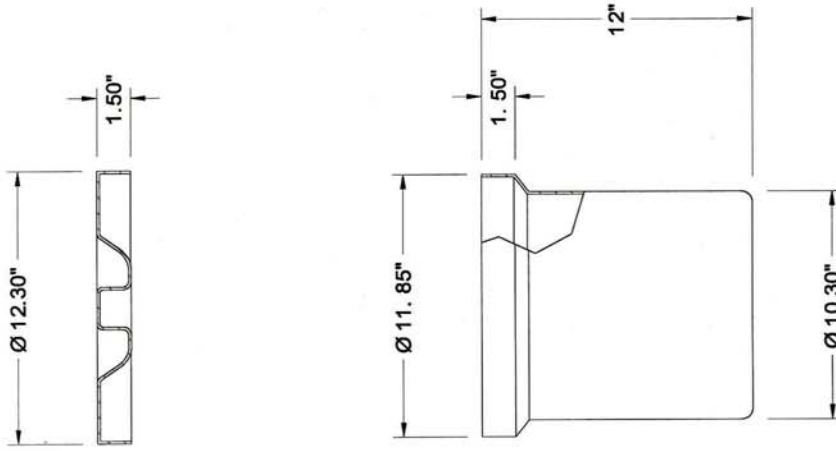


This drawing may not be used for any purpose other than by the owner. The drawing and design are property of Rotonics Manufacturing Inc. All dimensions shown are outside part dimensions in inches, and may vary due to material shrinkage. Specifications are subject to change without notice. Gallons and weights are approximate only.



DO NOT SCALE		1708 S. FIGUEROA ST. GARDENA, CA 90248 Phone: (310) 327-5401 Fax: (310) 323-9567	
APPROVALS		ROTONICS MFG. INC.	
DRAWN BY:	DATE	4.5 gal. POLY CROCK	
DPHAM	4/28/05	SIZE	DWG. No. S-1511
DESIGN BY:		CHECKED BY:	REV.
		APPROVED BY:	SCALE: 1 = 8 SHEET 1 of 1