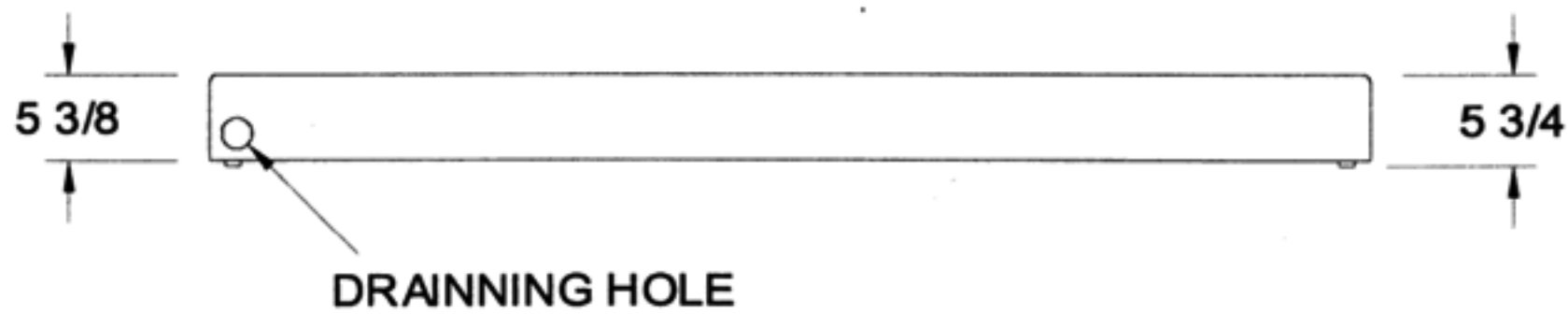
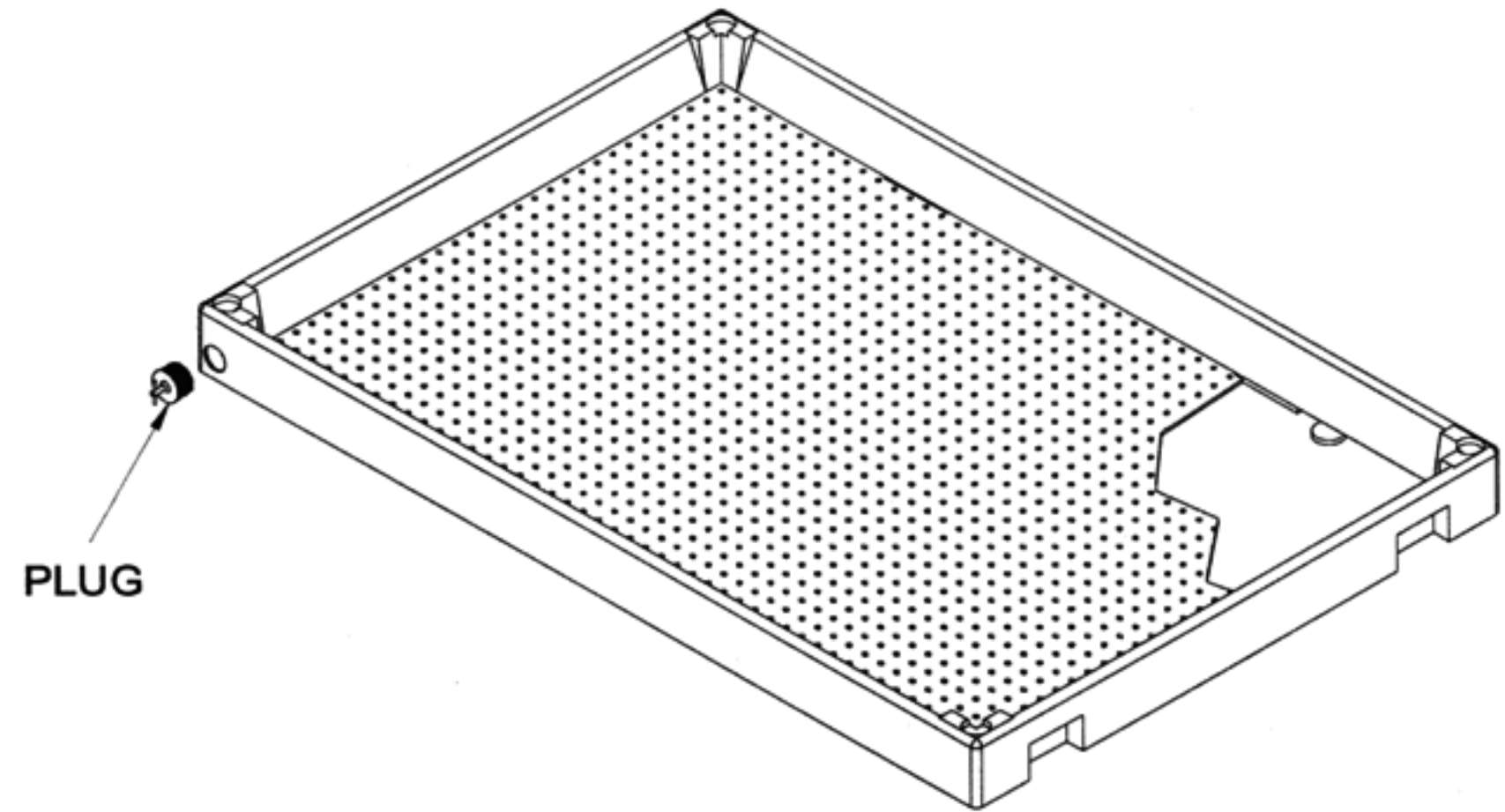
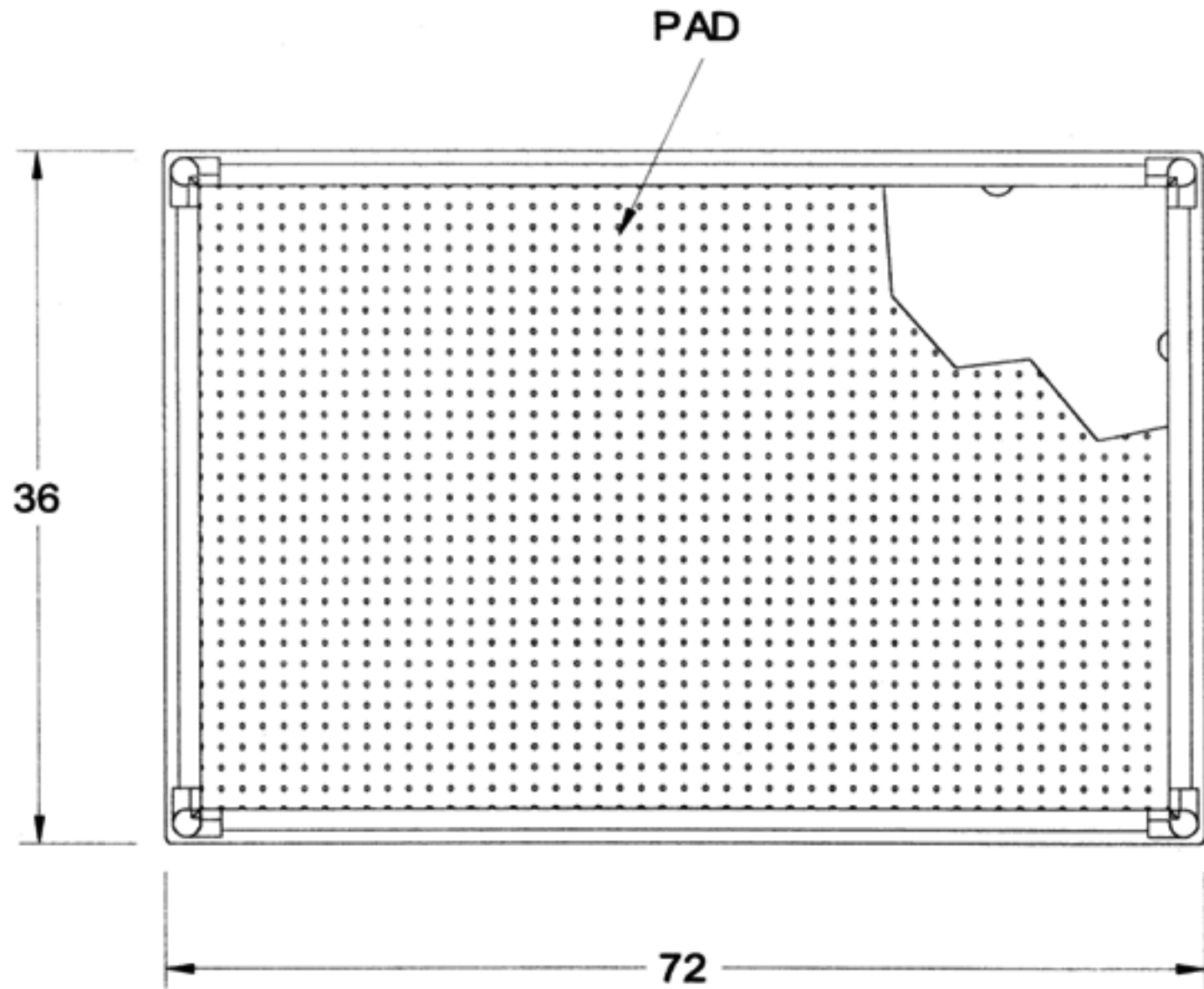


THIS DRAWING MAY NOT BE USED FOR ANY PURPOSE OTHER THAN BY THE OWNER. THE DRAWING & DESIGN ARE PROPERTY OF ROTONICS MANUFACTURING, INC. ALL DIMENSIONS SHOWN ARE OUTSIDE PART DIMENSIONS IN INCHES, AND MAY VARY DUE TO MATERIAL SHRINKAGE. SPECIFICATIONS ARE SUBJECT TO CHANGE WITHOUT NOTICE. GALLONS AND WEIGHTS ARE APPROXIMATE ONLY.



RMI- Chicago
736 Brignal Dr.
Bensenville, IL 60106
(630) 773-4274

DO NOT SCALE		ROTONICS MFG. INC. <small>17038 S. FIGUEROA ST. GARDENA, CA. 90248 Phone: (310) 327-5401 Fax (310) 323-9567</small>	
APPROVALS	DATE	MEDIUM FOOTHBATH	
DRAWN BY: DPHAM	10/08/04		
DESIGN BY:		SIZE A	DWG. No. S-1483 REV.
CHECKED BY:		SCALE: 1 = 24	
APPROVED BY:		SHEET 1 of 1	