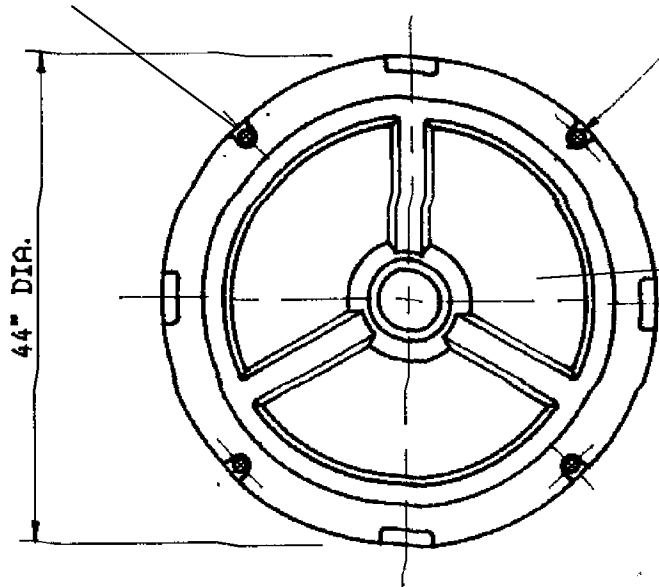


This drawing may not be used for any purpose other than by the owner. The drawing and design are property of Rotonics Manufacturing, Inc. All dimensions shown are outside part dimensions in inches, and may vary due to material shrinkage. Specifications are subject to change without notice. Gallons and weights are approximate only.

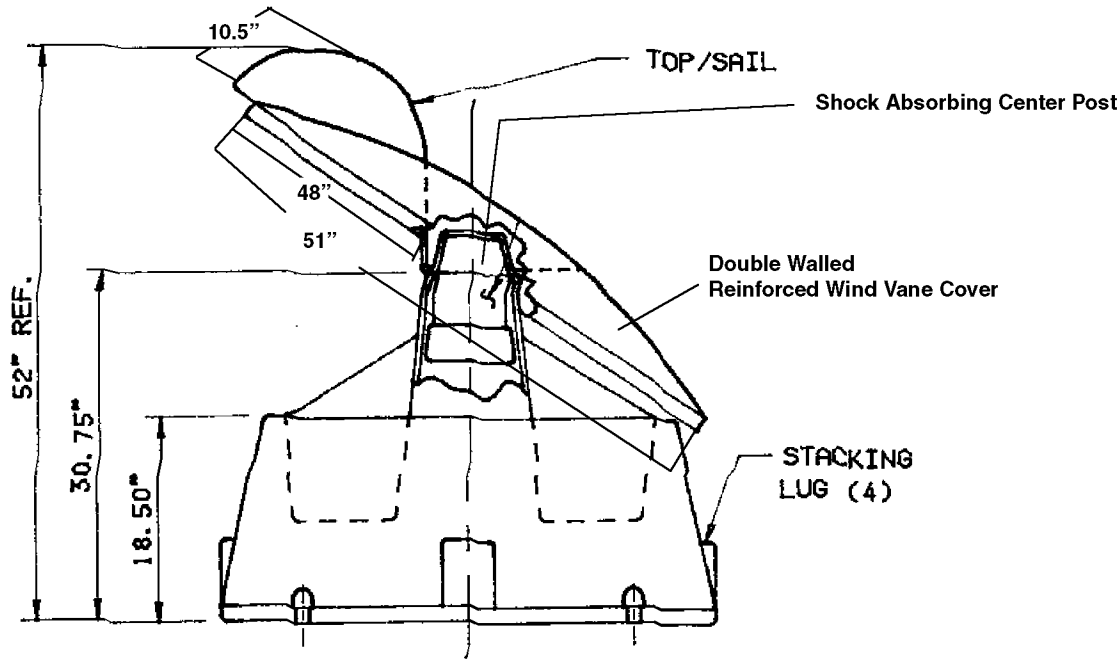
4 anchor points



TIE-DOWN
PIN TUNNEL
(4)

3 compartments for 250 lbs. mineral/feed
or 3 standard 50lbs. blocks

COVER NOT SHOWN FOR CLARITY



TOP/SAIL

Shock Absorbing Center Post

Double Walled
Reinforced Wind Vane Cover

STACKING
LUG (4)

RMI-F
230 Bartow Municipal Airport
Bartow, FL 33830
863-533-0629

RMI-T
3023 S. I-35
Gainesville, TX 76240
940-668-8596